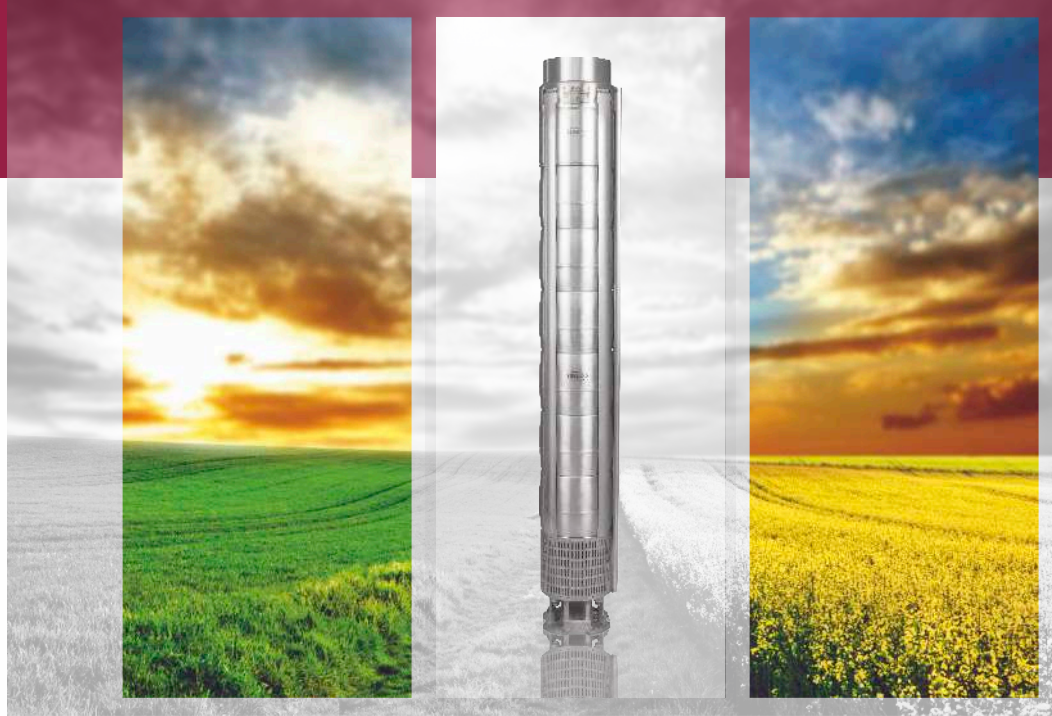
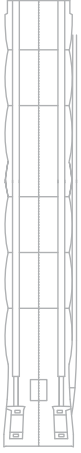


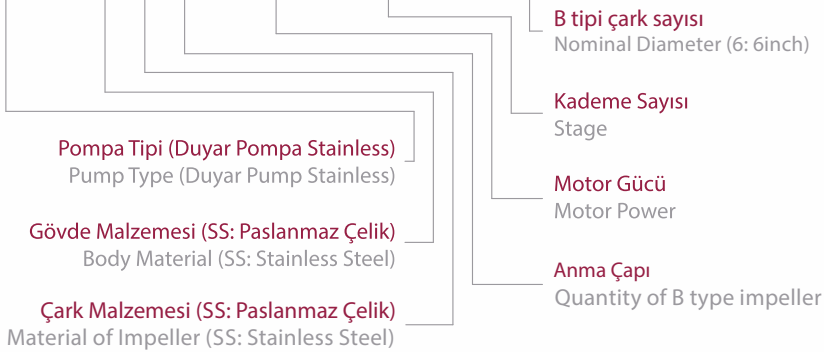
PASLANMAZ ÇELİK DALGIÇ POMPALAR
STAINLESS STEEL SUBMERSIBLE PUMPS





- Uzun ömür
- Yüksek verim
- Yüksek dayanıklılık ve kolay montaj
- Kolay servis imkanı
- NEMA standartlarında motor bağlantısı
- Aşınmaya dayanıklı su ile yağlamalı yataklar
- Suyun geri kaçmasını engelleyen çekvalf
- Long life
- High efficiency
- High durability and solid construction
- Easy service operation
- Suitable connection in NEMA standards
- Water lubricated rubber bearing
- Built-in checkvalve to prevent back flow

DMP SS6 10 / 01.B1



Ürün Kodlama Sistemi / Product Coding System

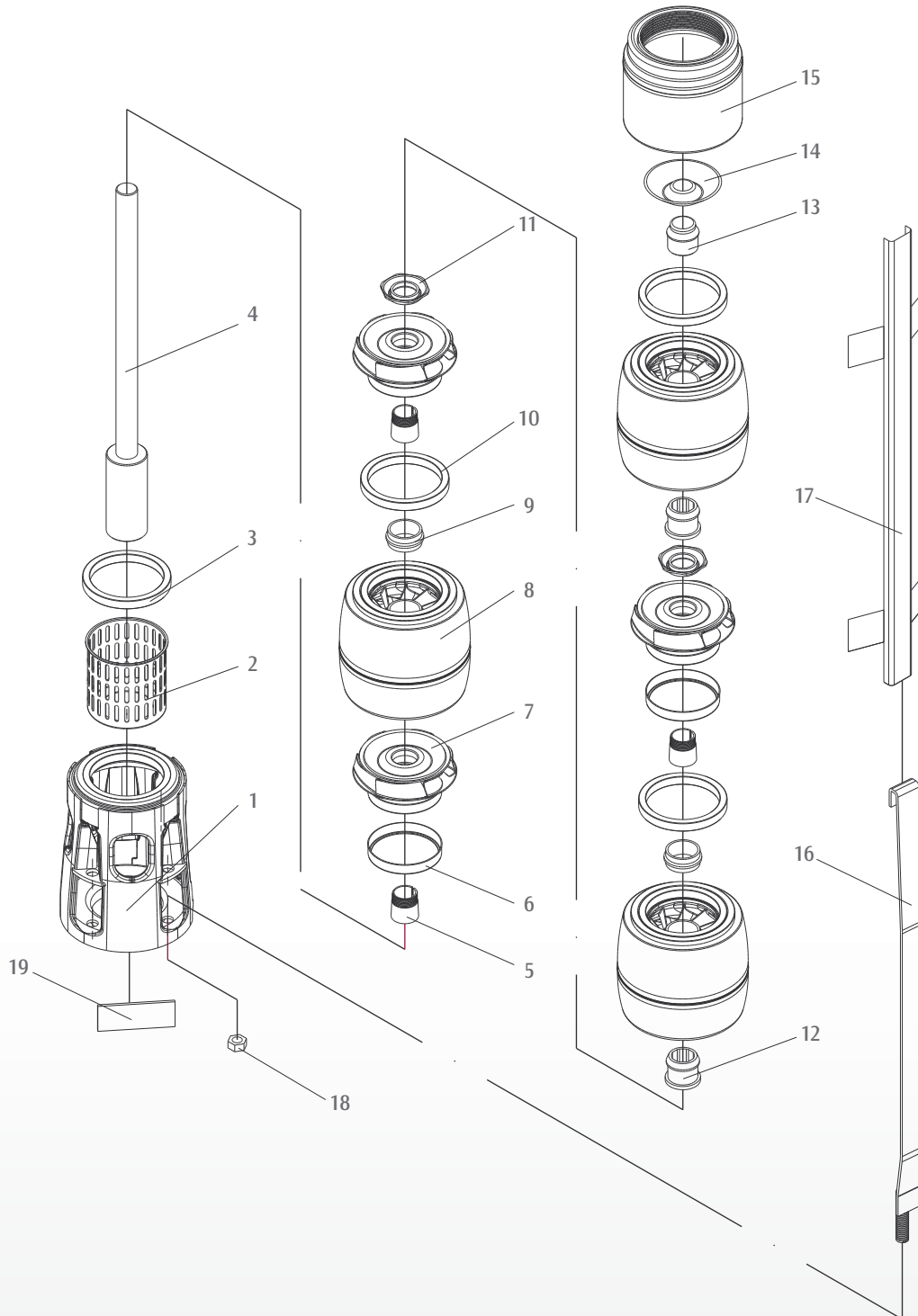


 Ürünlerimiz Türk Standartları Enstitüsü tarafından onaylıdır.

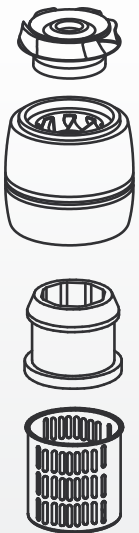
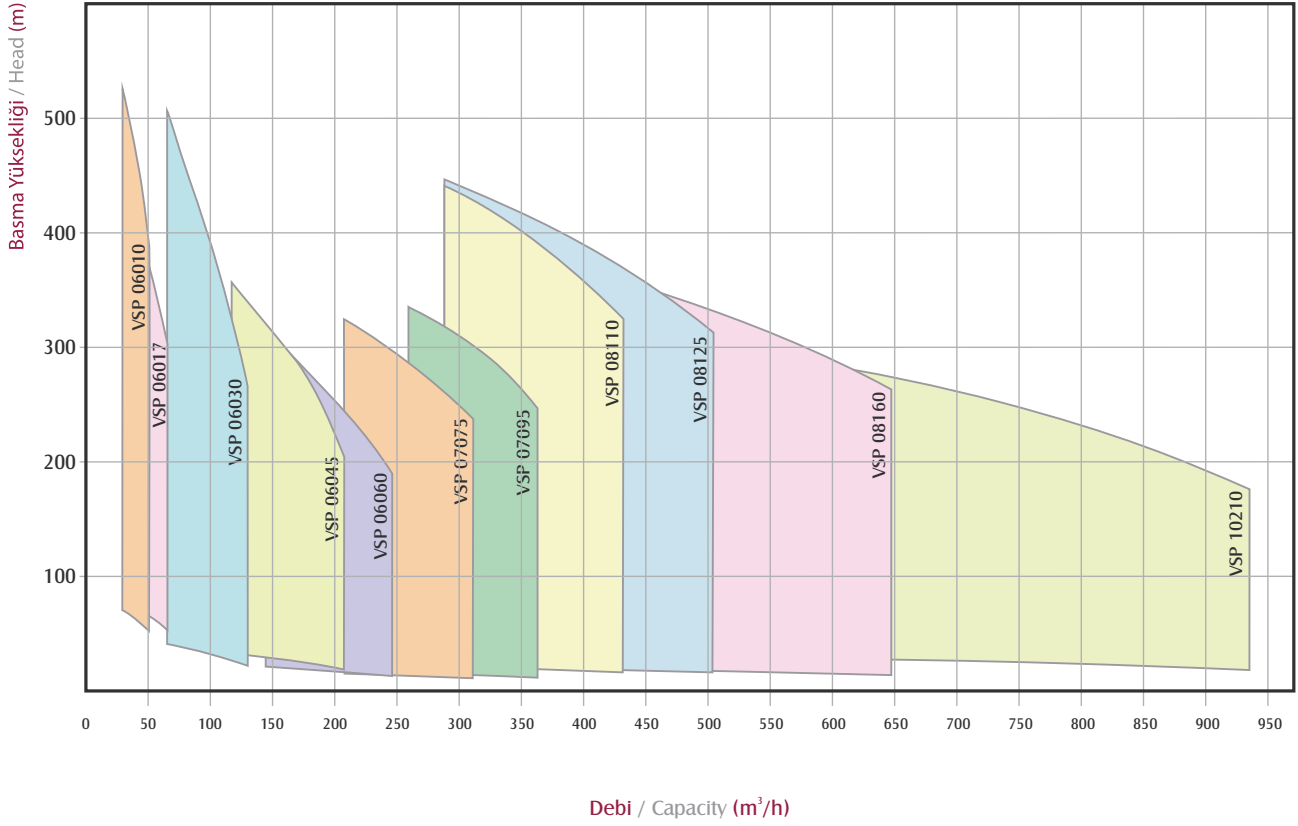
Paslanmaz Çelik Dalgıç Pompa / Stainless Steel Submersible Pumps

Parça Listesi / Part List

No	Parça Adı Part Name	Malzeme Material
1	Emiş Haznesi / Suction Case	Paslanmaz Çelik (AISI 304L) / Stainless Steel (AISI 304L)
2	Süzgeç / Filter	Paslanmaz Çelik (AISI 304) / Stainless Steel (AISI 304)
3	Emiş Haznesi Aşınma Bileziği / Suction Case Wear Ring	Bronz (ASTM B145-4A) / Bronze (ASTM B145-4A)
4	Pompa Mili / Pump Shaft	Paslanmaz Çelik (AISI 420) / Stainless Steel (AISI 420)
5	Çark Tespit Burcu / Collet	Paslanmaz Çelik / Stainless Steel
6	Çark Aşınma Bileziği / Impeller Wear Rings	Paslanmaz Çelik (AISI 304) / Stainless Steel (AISI 304)
7	Çark / Impeller	Paslanmaz Çelik (AISI 304L) / Stainless Steel (AISI 304L)
8	Ara Çanak / Diffuser	Paslanmaz Çelik (AISI 304L) / Stainless Steel (AISI 304L)
9	Ara Çanak Lastiği / Rubber Bearing	Kauçuk / Rubber
10	Klepe Oturma Lastiği / Diffuser Wear Ring	Kauçuk / Rubber
11	Çark Tespit Somunu / Nut For Stop Ring	Paslanmaz Çelik (AISI 304L) / Stainless Steel (AISI 304L)
12	Ara Çanak Yatağı / Bearing	Kauçuk / Rubber
13	Tapa / Shaft Stopper	Bronz (ASTM B145-4A) / Bronze (ASTM B145-4A)
14	Çekvalf / Valve	Paslanmaz Çelik (AISI 304) / Stainless Steel (AISI 304)
15	Çıkış Haznesi / Discharge Case	Paslanmaz Çelik (AISI 304) / Stainless Steel (AISI 304)
16	Gerdirme Laması / Tie Rod	Paslanmaz Çelik (AISI 304L) / Stainless Steel (AISI 304L)
17	Kablo Koruma / Cable Guard	Paslanmaz Çelik (AISI 304) / Stainless Steel (AISI 304)
18	Gerdirme Laması Somunu / Tie Rod Nut	Paslanmaz Çelik (AISI 303) / Stainless Steel (AISI 303)
19	Pompa Etiketli / Name plate	Paslanmaz Çelik (AISI 304) / Stainless Steel (AISI 304)







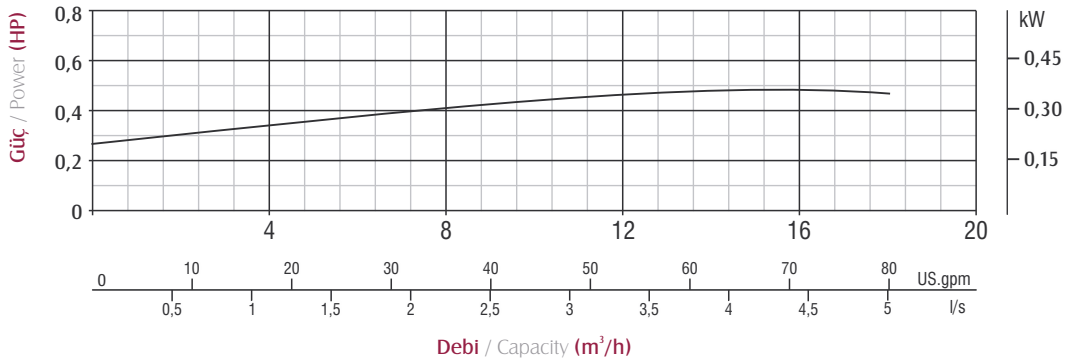
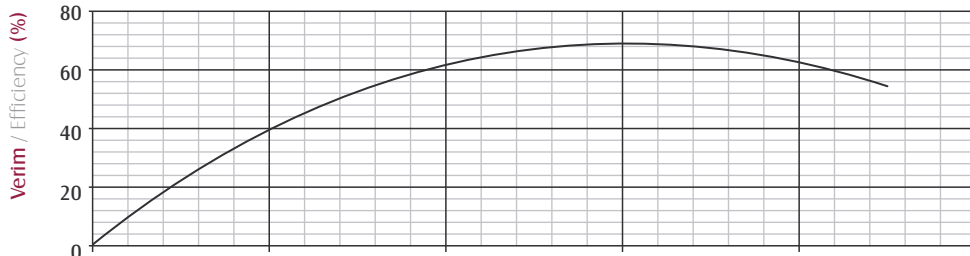
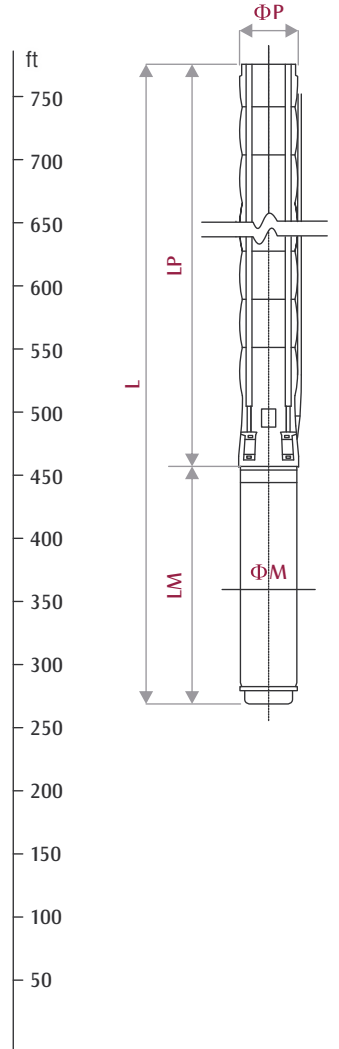
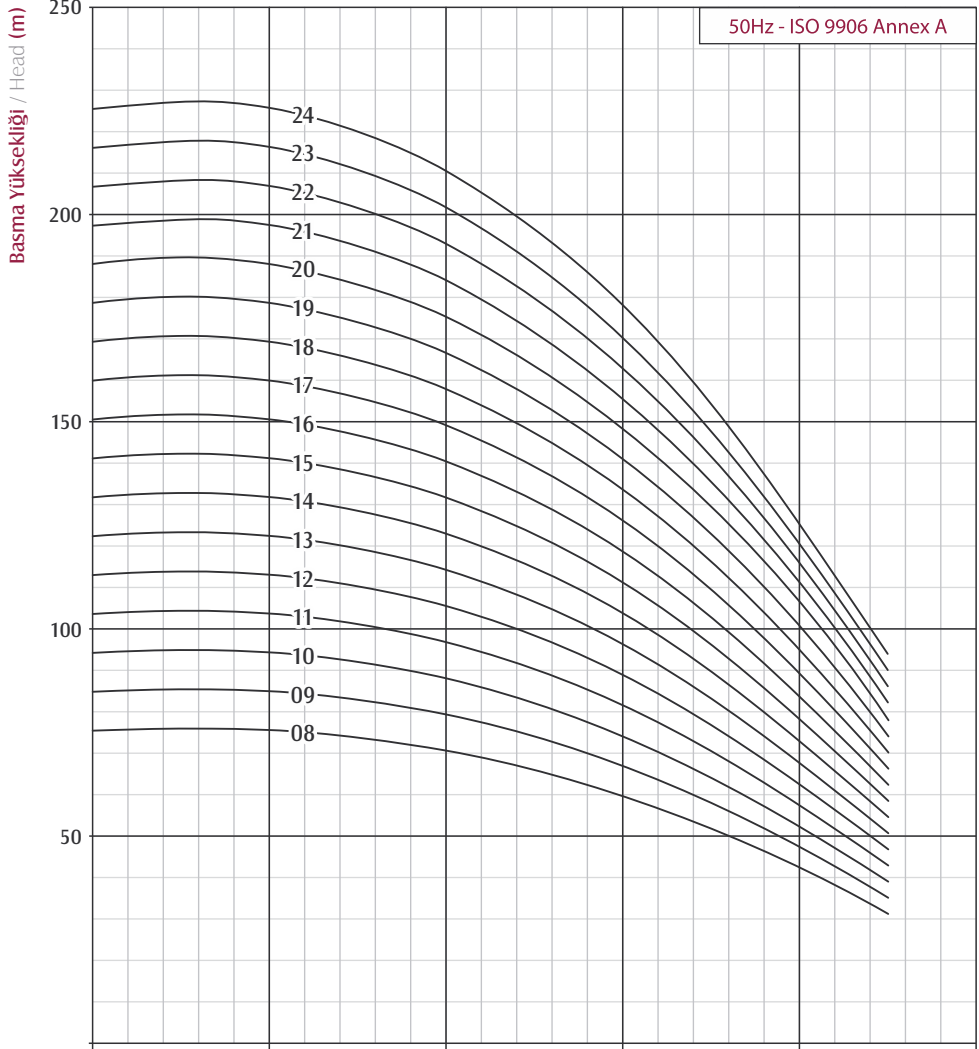
Kapasite / Capacity

- Devir Hızı / 2900 Rpm
- Dönüş Yönü / Saatin ters yönü
- Difüzör, Çark, Pompa mili, Kaplin, Süzgeç ve Klape Paslanmaz çeliktir.
- Frekans / 50 Hz.
- Koruma Sınıfı / IP68
- 380V - 415V arası çalışma gerilim değişimi
- 300C standart 500C Opsional maximum su sıcaklığında çalışma

- Revolution Speed / 2900 Rpm
- Rotation / CCW
- Diffuser, Impeller, Pump shaft, Coupling, Strainer and Valve cap is made of Stainless Steel
- Frequency / 50 Hz.
- Protection Standart / IP68
- 380 - 415 Voltage
- 300C standart 500C Optional max. water temprature working.

Ürün Özellikleri / Product Features

Performans Eğrileri / Performance Curves



DMP SS6 10

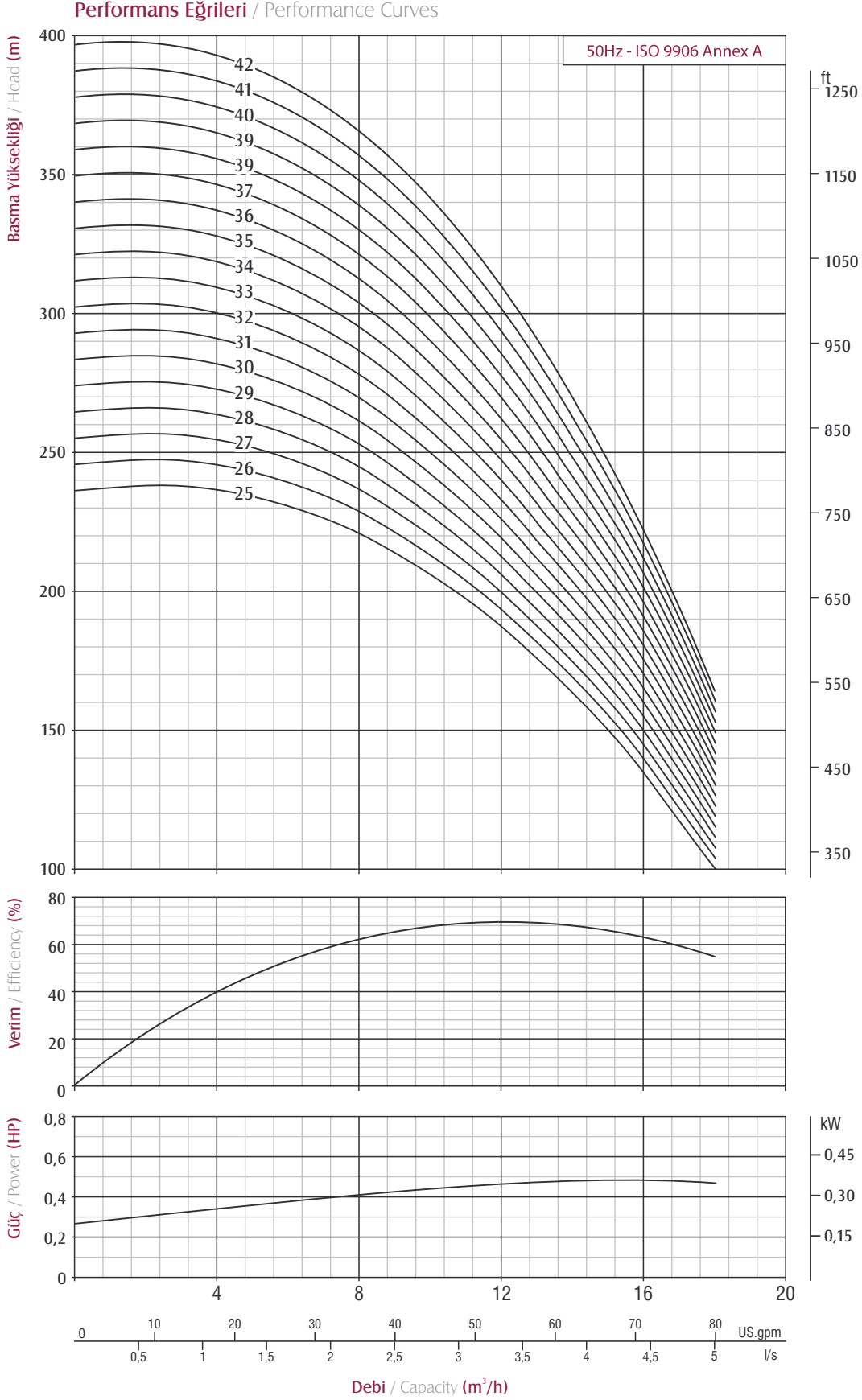
Ölçü Tablosu / Dimensions Table

Pompa Tipi Pump Type	Kad. Sayısı Stages	Motor		Ölçüler / Dimensions (mm)					Ağırlık / Weight (kg)		
		kW	Hp	L	LM	LP	ΦM	ΦP	Motor Motor	Pompa Pump	Toplam Total
DMP SS6 10/08	8	4	5,5	1402	649	753	142	132	40	15	55
DMP SS6 10/09	9	4	5,5	1463	649	814	142	132	40	17	57
DMP SS6 10/10	10	4	5,5	1523	649	874	142	132	40	18	58
DMP SS6 10/11	11	4	5,5	1584	649	935	142	132	40	20	60
DMP SS6 10/12	12	5,5	7,5	1673	678	995	142	132	43,5	21	64,5
DMP SS6 10/13	13	5,5	7,5	1734	678	1056	142	132	43,5	23	66,5
DMP SS6 10/14	14	5,5	7,5	1794	678	1116	142	132	43,5	24	67,5
DMP SS6 10/15	15	5,5	7,5	1855	678	1177	142	132	43,5	26	69,5
DMP SS6 10/16	16	7,5	10	1995	758	1237	142	132	50	27	77
DMP SS6 10/17	17	7,5	10	2056	758	1298	142	132	50	28	78
DMP SS6 10/18	18	7,5	10	2116	758	1358	142	132	50	30	80
DMP SS6 10/19	19	7,5	10	2177	758	1419	142	132	50	31	81
DMP SS6 10/20	20	7,5	10	2237	758	1479	142	132	50	33	83
DMP SS6 10/21	21	7,5	10	2298	758	1540	142	132	50	34	84
DMP SS6 10/22	22	9,3	12,5	2400	800	1600	142	132	55	36	91
DMP SS6 10/23	23	9,3	12,5	2461	800	1661	142	132	55	37	92
DMP SS6 10/24	24	9,3	12,5	2521	800	1721	142	132	55	39	94

Performans Tablosu / Performance Table

Pompa Tipi Pump Type	Kad. Sayısı Stages	Motor		Akım Current (A)	m ³ /h l/s	0	3,6	7,2	10,8	14,4	16	18
		kW	Hp			0	1	2	3	4	4,4	5,5
DMP SS6 10/08	8	4	5,5	10,2	Basma Yüksekliği / Head (m)	75	75	71	63	49	42	31
DMP SS6 10/09	9	4	5,5	10,2		84	84	80	71	56	47	35
DMP SS6 10/10	10	4	5,5	10,2		93	93	89	79	62	52	39
DMP SS6 10/11	11	4	5,5	10,2		103	103	98	86	68	57	42
DMP SS6 10/12	12	5,5	7,5	13,3		112	112	107	94	74	63	46
DMP SS6 10/13	13	5,5	7,5	13,3		121	121	115	102	80	68	50
DMP SS6 10/14	14	5,5	7,5	13,3		131	130	124	110	87	73	54
DMP SS6 10/15	15	5,5	7,5	13,3		140	140	133	118	93	78	58
DMP SS6 10/16	16	7,5	10	17,2		149	149	142	126	99	84	62
DMP SS6 10/17	17	7,5	10	17,2		159	158	151	134	105	89	65
DMP SS6 10/18	18	7,5	10	17,2		168	168	160	141	111	94	69
DMP SS6 10/19	19	7,5	10	17,2		177	177	169	149	118	99	73
DMP SS6 10/20	20	7,5	10	17,2		187	186	178	157	124	105	77
DMP SS6 10/21	21	7,5	10	17,2		196	196	186	165	130	110	81
DMP SS6 10/22	22	9,3	12,5	20,8		205	205	195	173	136	115	85
DMP SS6 10/23	23	9,3	12,5	20,8		215	214	204	181	142	120	89
DMP SS6 10/24	24	9,3	12,5	20,8		224	224	213	189	148	125	92

Ürün Özellikleri / Product Features



Pompa performans eğrileri 1 bar atmosfer basıncı altında 15 °C sıcaklığındaki, özgül yoğunluğu 1 gr/cm³ olan su ile elde edilmiştir.
The hydraulic working characteristics have been taken with water at 15 °C, at the atmospheric pressure of 1 bar and specific gravity is 1 gr/cm³

DMP SS6 10

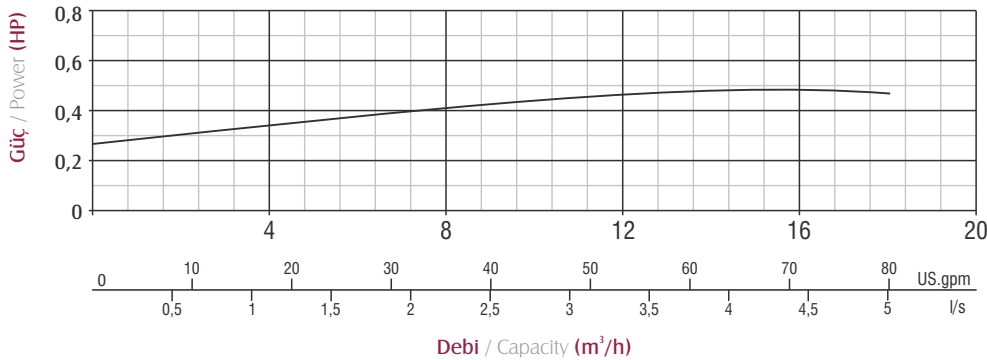
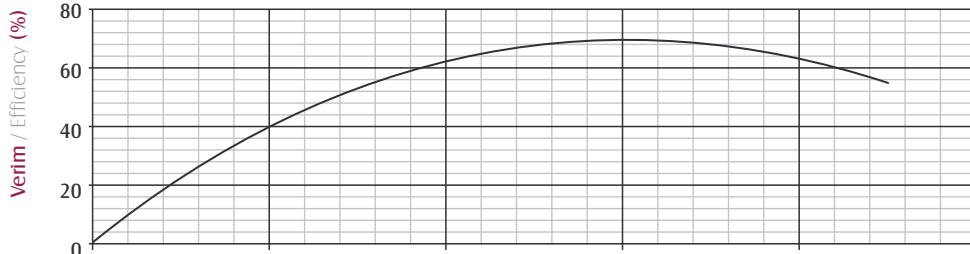
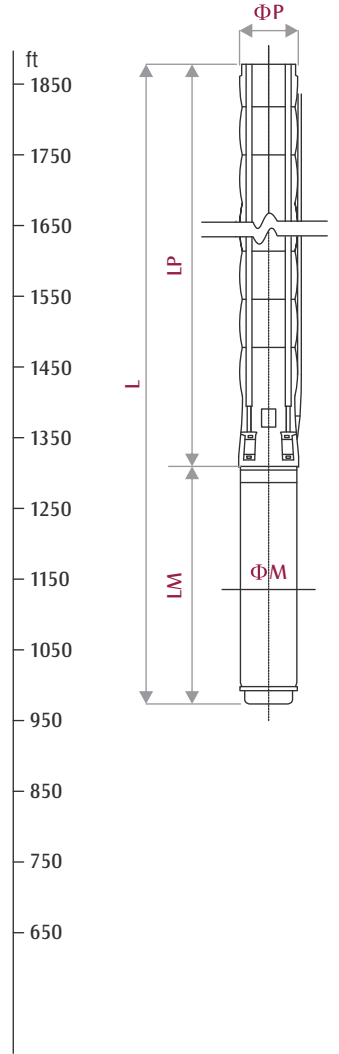
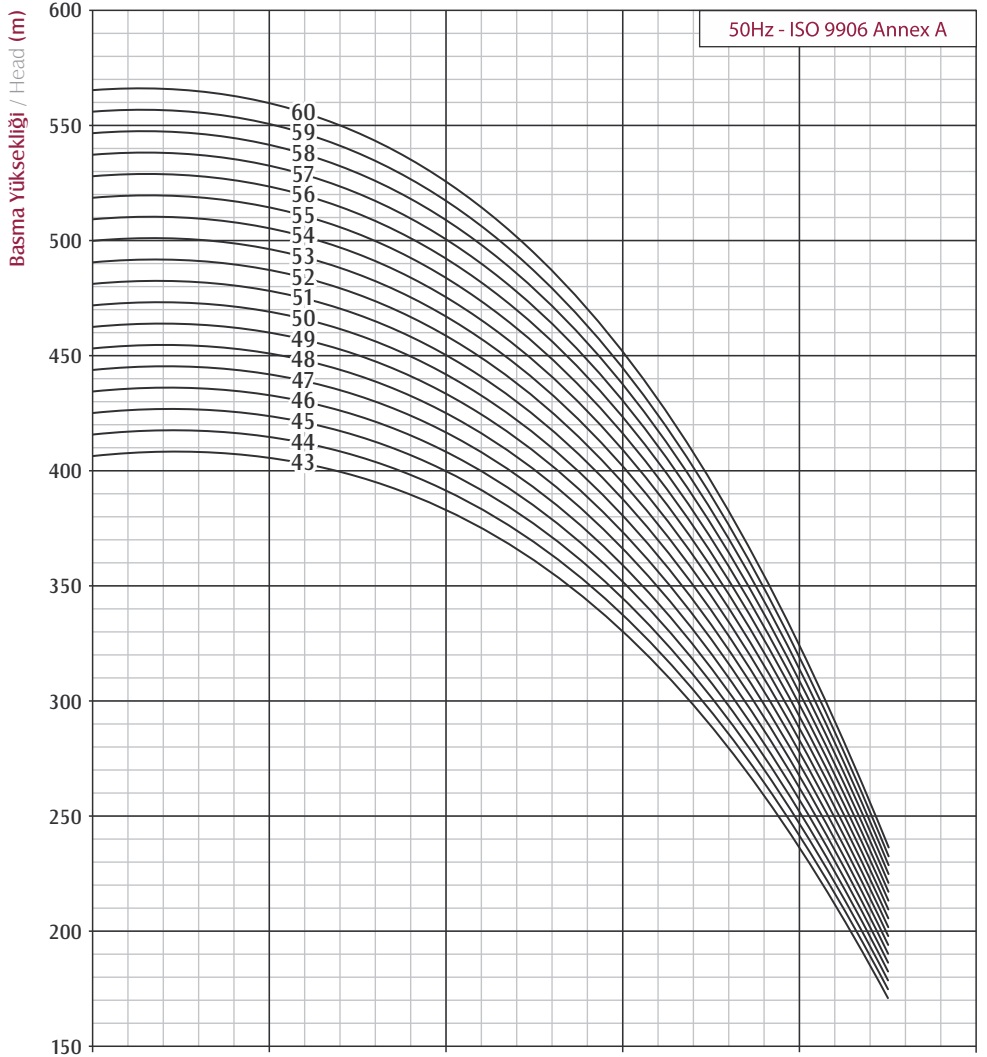
Ölçü Tablosu / Dimensions Table

Pompa Tipi Pump Type	Kad. Sayısı Stages	Motor		Ölçüler / Dimensions (mm)					Ağırlık / Weight (kg)		
		kW	Hp	L	LM	LP	ΦM	ΦP	Motor Motor	Pompa Pump	Toplam Total
DMP SS6 10/25	25	9,3	12,5	2582	800	1782	142	132	55	40	95
DMP SS6 10/26	26	9,3	12,5	2642	800	1842	142	132	55	41	96
DMP SS6 10/27	27	11	15	2754	851	1903	142	132	60	43	103
DMP SS6 10/28	28	11	15	2814	851	1963	142	132	60	44	104
DMP SS6 10/29	29	11	15	2875	851	2024	142	132	60	46	106
DMP SS6 10/30	30	11	15	2935	851	2084	142	132	60	47	107
DMP SS6 10/31	31	13	17,5	3056	911	2145	142	132	65	49	114
DMP SS6 10/32	32	13	17,5	3116	911	2205	142	132	65	50	115
DMP SS6 10/33	33	13	17,5	3177	911	2266	142	132	65	52	117
DMP SS6 10/34	34	13	17,5	3237	911	2326	142	132	65	53	118
DMP SS6 10/35	35	13	17,5	3298	911	2387	142	132	65	54	119
DMP SS6 10/36	36	13	17,5	3358	911	2447	142	132	65	56	121
DMP SS6 10/37	37	13	17,5	3419	911	2508	142	132	65	57	122
DMP SS6 10/38	38	15	20	3541	973	2568	142	132	72	59	131
DMP SS6 10/39	39	15	20	3602	973	2629	142	167	72	91	163
DMP SS6 10/40	40	15	20	3662	973	2689	142	167	72	92	164
DMP SS6 10/41	41	15	20	3723	973	2750	142	167	72	94	166
DMP SS6 10/42	42	18,5	25	3816	1006	2810	142	167	76	96	172

Performans Tablosu / Performance Table

Pompa Tipi Pump Type	Kad. Sayısı Stages	Motor		Akım Current (A)	m ³ /h l/s	0	3,6	7,2	10,8	14,4	16	18
		kW	Hp			0	1	2	3	4	4,4	5,5
DMP SS6 10/25	25	9,3	12,5	20,8	Basma Yüksekliği / Head (m)	233	233	222	197	155	131	96
DMP SS6 10/26	26	9,3	12,5	20,8		243	242	231	204	161	136	100
DMP SS6 10/27	27	11	15	23,7		252	252	240	212	167	141	104
DMP SS6 10/28	28	11	15	23,7		261	261	249	220	173	146	108
DMP SS6 10/29	29	11	15	23,7		270	270	258	228	179	152	112
DMP SS6 10/30	30	11	15	23,7		280	280	266	236	186	157	116
DMP SS6 10/31	31	13	17,5	28,7		289	289	275	244	192	162	119
DMP SS6 10/32	32	13	17,5	28,7		298	298	284	252	198	167	123
DMP SS6 10/33	33	13	17,5	28,7		308	308	293	259	204	172	127
DMP SS6 10/34	34	13	17,5	28,7		317	317	302	267	210	178	131
DMP SS6 10/35	35	13	17,5	28,7		326	326	311	275	216	183	135
DMP SS6 10/36	36	13	17,5	28,7		336	336	320	283	223	188	139
DMP SS6 10/37	37	13	17,5	28,7		345	345	329	291	229	193	143
DMP SS6 10/38	38	15	20	33,1		354	354	337	299	235	199	146
DMP SS6 10/39	39	15	20	33,1		364	364	346	307	241	204	150
DMP SS6 10/40	40	15	20	33,1		373	373	355	314	247	209	154
DMP SS6 10/41	41	15	20	33,1		382	382	364	322	254	214	158
DMP SS6 10/42	42	18,5	25	41,8		392	391	373	330	260	220	162

Performans Eğrileri / Performance Curves



Pompa performans eğrileri 1 bar atmosfer basıncı altında 15 °C sıcaklığındaki, özgül yoğunluğu 1 gr/cm³ olan su ile elde edilmiştir.
The hydraulic working characteristics have been taken with water at 15 °C, at the atmospheric pressure of 1 bar and specific gravity is 1 gr/cm³

DMP SS6 10

Ölçü Tablosu / Dimensions Table

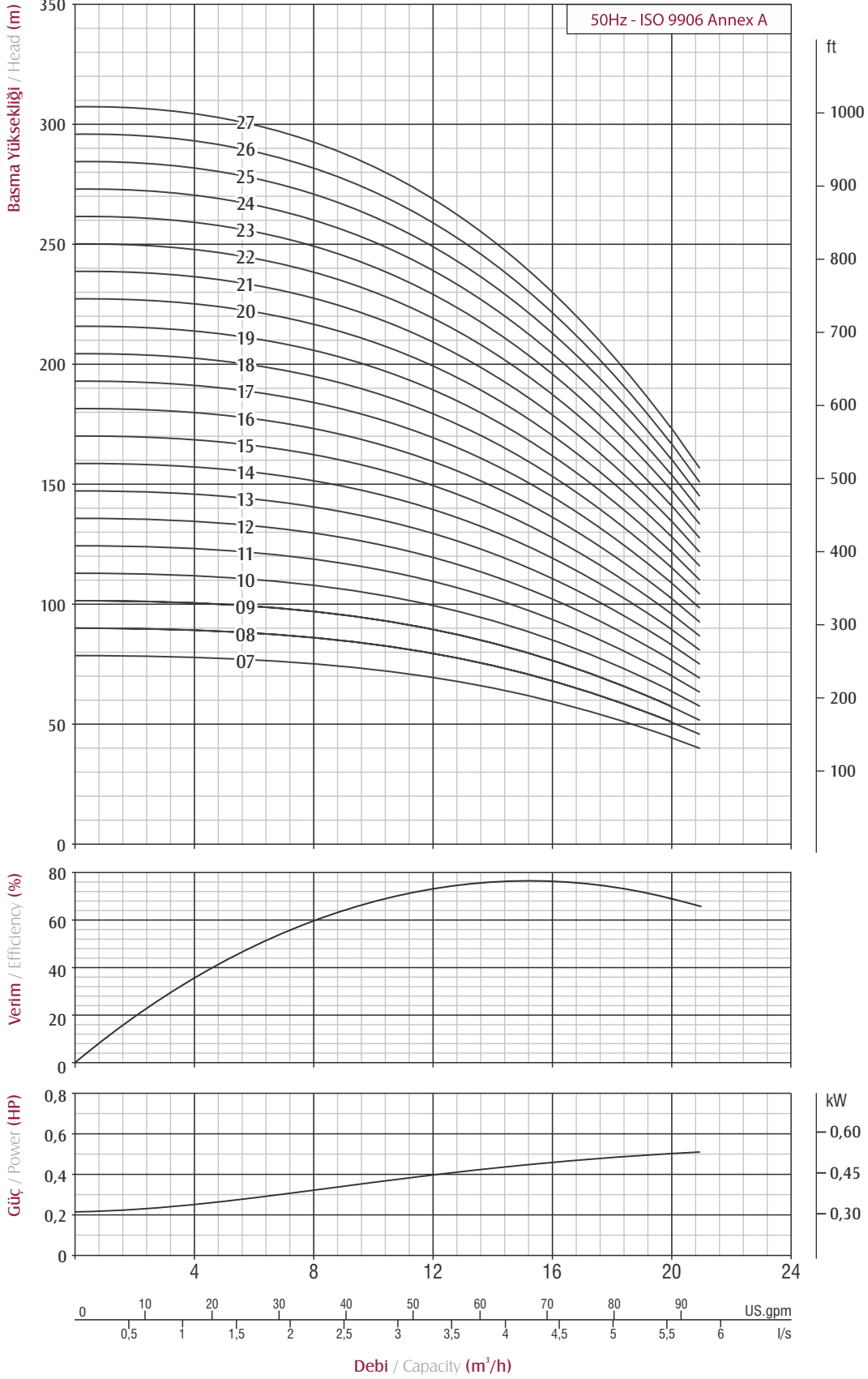
Pompa Tipi Pump Type	Kad. Sayısı Stages	Motor		Ölçüler / Dimensions (mm)					Ağırlık / Weight (kg)		
		kW	Hp	L	LM	LP	ΦM	ΦP	Motor Motor	Pompa Pump	Toplam Total
DMP SS6 10/43	43	18,5	25	3877	1006	2871	142	167	76	98	174
DMP SS6 10/44	44	18,5	25	3937	1006	2931	142	167	76	100	176
DMP SS6 10/45	45	18,5	25	3998	1006	2992	142	167	76	101	177
DMP SS6 10/46	46	18,5	25	4058	1006	3052	142	167	76	103	179
DMP SS6 10/47	47	18,5	25	4119	1006	3113	142	167	76	105	181
DMP SS6 10/48	48	18,5	25	4179	1006	3173	142	167	76	107	183
DMP SS6 10/49	49	18,5	25	4240	1006	3234	142	167	76	108	184
DMP SS6 10/50	50	22	30	4400/4184	1106/890	3294	142/172	167	87/86	110	197/196
DMP SS6 10/51	51	22	30	4461/4245	1106/890	3355	142/172	167	87/86	112	199/198
DMP SS6 10/52	52	22	30	4521/4305	1106/890	3415	142/172	167	87/86	114	201/200
DMP SS6 10/53	53	22	30	4582/4366	1106/890	3476	142/172	167	87/86	116	203/202
DMP SS6 10/54	54	22	30	4642/4426	1106/890	3536	142/172	167	87/86	117	204/203
DMP SS6 10/55	55	22	30	4703/4487	1106/890	3597	142/172	167	87/86	119	206/205
DMP SS6 10/56	56	22	30	4763/4547	1106/890	3657	142/172	167	87/86	121	208/207
DMP SS6 10/57	57	22	30	4824/4608	1106/890	3718	142/172	167	87/86	123	210/209
DMP SS6 10/58	58	22	30	4884/4668	1106/890	3778	142/172	167	87/86	125	212/211
DMP SS6 10/59	59	22	30	4945/4729	1106/890	3839	142/172	167	87/86	126	213/212
DMP SS6 10/60	60	22	30	5005/4789	1106/890	3899	142/172	167	87/86	128	215/214

Performans Tablosu / Performance Table

Pompa Tipi Pump Type	Kad. Sayısı Stages	Motor		Akım Current (A)	m ³ /h l/s	0	3,6	7,2	10,8	14,4	16	18
		kW	Hp			0	1	2	3	4	4,4	5,5
DMP SS6 10/43	43	18,5	25	41,8	Basma Yüksekliği / Head (m)	401	401	382	338	266	225	166
DMP SS6 10/44	44	18,5	25	41,8		410	410	391	346	272	230	169
DMP SS6 10/45	45	18,5	25	41,8		420	419	400	354	278	235	173
DMP SS6 10/46	46	18,5	25	41,8		429	429	408	362	285	240	177
DMP SS6 10/47	47	18,5	25	41,8		438	438	417	369	291	246	181
DMP SS6 10/48	48	18,5	25	41,8		448	447	426	377	297	251	185
DMP SS6 10/49	49	18,5	25	41,8		457	457	435	385	303	256	189
DMP SS6 10/50	50	22	30	48,5		466	466	444	393	309	261	193
DMP SS6 10/51	51	22	30	48,5		476	475	453	401	315	267	196
DMP SS6 10/52	52	22	30	48,5		485	485	462	409	322	272	200
DMP SS6 10/53	53	22	30	48,5		494	494	471	417	328	277	204
DMP SS6 10/54	54	22	30	48,5		504	503	480	424	334	282	208
DMP SS6 10/55	55	22	30	48,5		513	513	488	432	340	287	212
DMP SS6 10/56	56	22	30	48,5		522	522	497	440	346	293	216
DMP SS6 10/57	57	22	30	48,5		532	531	506	448	353	298	220
DMP SS6 10/58	58	22	30	48,5		541	541	515	456	359	303	223
DMP SS6 10/59	59	22	30	48,5		550	550	524	464	365	308	227
DMP SS6 10/60	60	22	30	48,5		560	559	533	472	371	314	231

Ürün Özellikleri / Product Features

Performans Eğrileri / Performance Curves



DMP SS6 17

Ölçü Tablosu / Dimensions Table

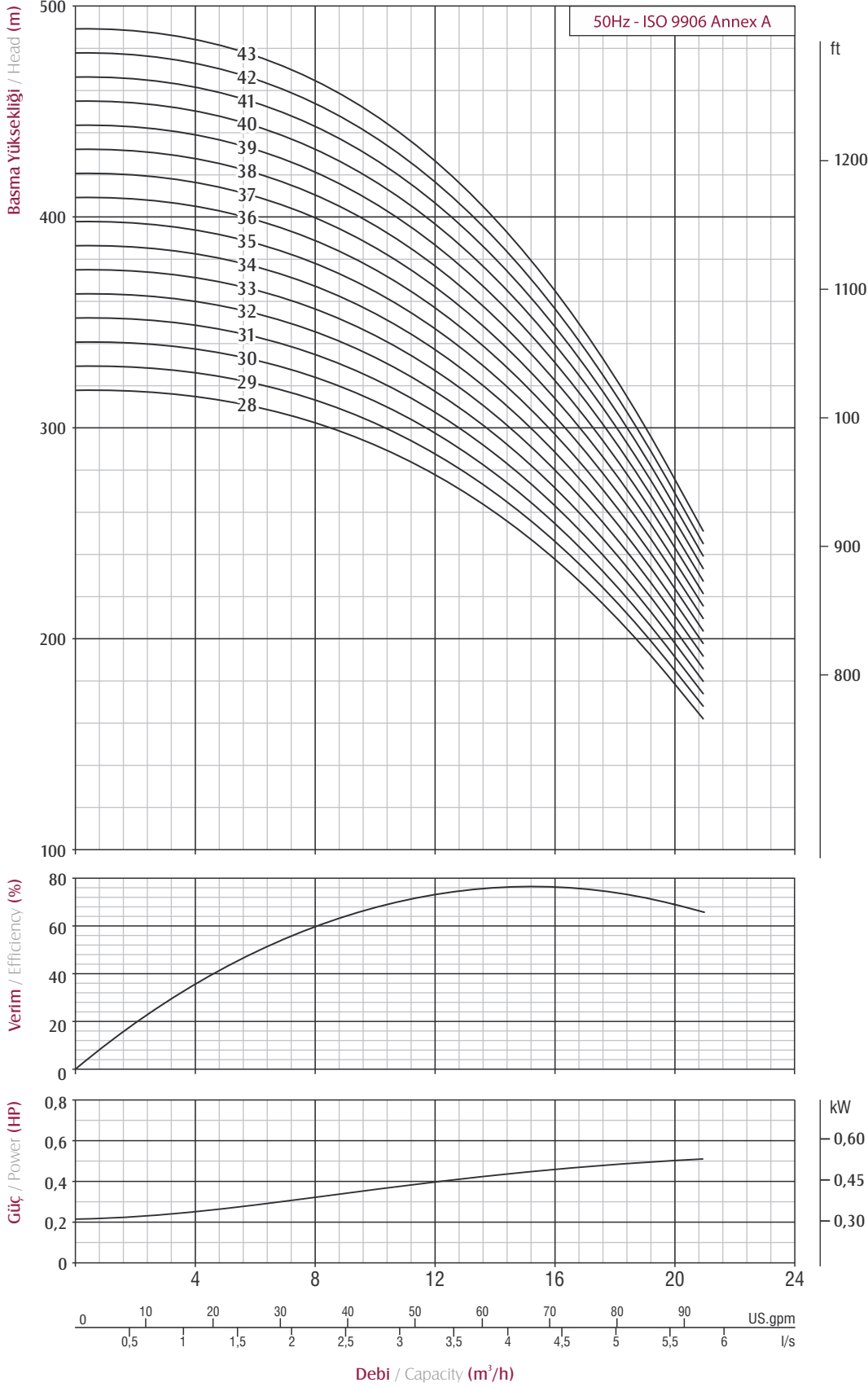
Pompa Tipi Pump Type	Kad. Sayısı Stages	Motor		Ölçüler / Dimensions (mm)					Ağırlık / Weight (kg)		
		kW	Hp	L	LM	LP	ΦM	ΦP	Motor Motor	Pompa Pump	Toplam Total
DMP SS6 17/07	7	4	5,5	1342	649	693	142	132	40	14	54
DMP SS6 17/08	8	5,5	7,5	1431	678	753	142	132	43,5	16	59,5
DMP SS6 17/09	9	5,5	7,5	1492	678	814	142	132	43,5	17	60,5
DMP SS6 17/10	10	5,5	7,5	1552	678	874	142	132	43,5	18	61,5
DMP SS6 17/11	11	7,5	10	1693	758	935	142	132	50	20	70
DMP SS6 17/12	12	7,5	10	1753	758	995	142	132	50	21	71
DMP SS6 17/13	13	7,5	10	1814	758	1056	142	132	50	23	73
DMP SS6 17/14	14	7,5	10	1874	758	1116	142	132	50	24	74
DMP SS6 17/15	15	9,3	12,5	1977	800	1177	142	132	55	26	81
DMP SS6 17/16	16	9,3	12,5	2037	800	1237	142	132	55	27	82
DMP SS6 17/17	17	9,3	12,5	2098	800	1298	142	132	55	29	84
DMP SS6 17/18	18	11	15	2209	851	1358	142	132	60	30	90
DMP SS6 17/19	19	11	15	2270	851	1419	142	132	60	31	91
DMP SS6 17/20	20	11	15	2330	851	1479	142	132	60	33	93
DMP SS6 17/21	21	13	17,5	2451	911	1540	142	132	65	34	99
DMP SS6 17/22	22	13	17,5	2511	911	1600	142	132	65	36	101
DMP SS6 17/23	23	13	17,5	2572	911	1661	142	132	65	37	102
DMP SS6 17/24	24	13	17,5	2632	911	1721	142	132	65	39	104
DMP SS6 17/25	25	15	20	2755	973	1782	142	132	72	40	112
DMP SS6 17/26	26	15	20	2815	973	1842	142	132	72	42	114
DMP SS6 17/27	27	15	20	2876	973	1903	142	132	72	43	115

Performans Tablosu / Performance Table

Pompa Tipi Pump Type	Kad. Sayısı Stages	Motor		Akım Current (A)	m ³ /h l/s	0	6	8	10	12	14	16	18	20
		kW	Hp			0	1,7	2,2	2,8	3,3	3,9	4,4	5	5,6
DMP SS6 17/07	7	4	5,5	10,2	Basma Yüksekliği / Head (m)	81	79	78	75	72	67	61	54	46
DMP SS6 17/08	8	5,5	7,5	13,3		93	91	89	86	82	76	70	62	53
DMP SS6 17/09	9	5,5	7,5	13,3		104	102	100	97	92	86	78	69	59
DMP SS6 17/10	10	5,5	7,5	13,3		116	113	111	107	102	95	87	77	66
DMP SS6 17/11	11	7,5	10	17,2		127	125	122	118	112	105	96	85	72
DMP SS6 17/12	12	7,5	10	17,2		139	136	133	129	123	115	104	92	79
DMP SS6 17/13	13	7,5	10	17,2		151	147	144	140	133	124	113	100	85
DMP SS6 17/14	14	7,5	10	17,2		162	159	155	150	143	134	122	108	92
DMP SS6 17/15	15	9,3	12,5	20,8		174	170	166	161	153	143	131	115	99
DMP SS6 17/16	16	9,3	12,5	20,8		185	182	178	172	164	153	139	123	105
DMP SS6 17/17	17	9,3	12,5	20,8		197	193	189	182	174	162	148	131	112
DMP SS6 17/18	18	11	15	23,7		208	204	200	193	184	172	157	139	118
DMP SS6 17/19	19	11	15	23,7		220	216	211	204	194	181	165	146	125
DMP SS6 17/20	20	11	15	23,7		232	227	222	215	204	191	174	154	131
DMP SS6 17/21	21	13	17,5	28,7		243	238	233	225	215	200	183	162	138
DMP SS6 17/22	22	13	17,5	28,7		255	250	244	236	225	210	191	169	145
DMP SS6 17/23	23	13	17,5	28,7		266	261	255	247	235	220	200	177	151
DMP SS6 17/24	24	13	17,5	28,7		278	272	266	258	245	229	209	185	158
DMP SS6 17/25	25	15	20	33,1		289	284	277	268	256	239	218	192	164
DMP SS6 17/26	26	15	20	33,1		301	295	289	279	266	248	226	200	171
DMP SS6 17/27	27	15	20	33,1		313	306	300	290	276	258	235	208	177

Ürün Özellikleri / Product Features

Performans Eğrileri / Performance Curves



DMP SS6 17

Ölçü Tablosu / Dimensions Table

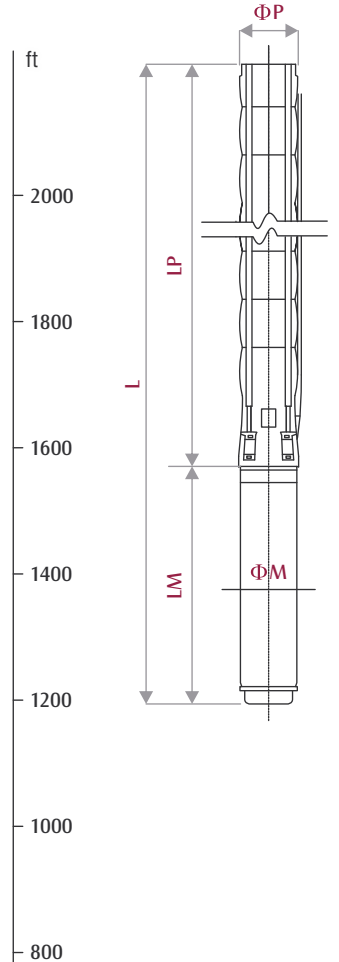
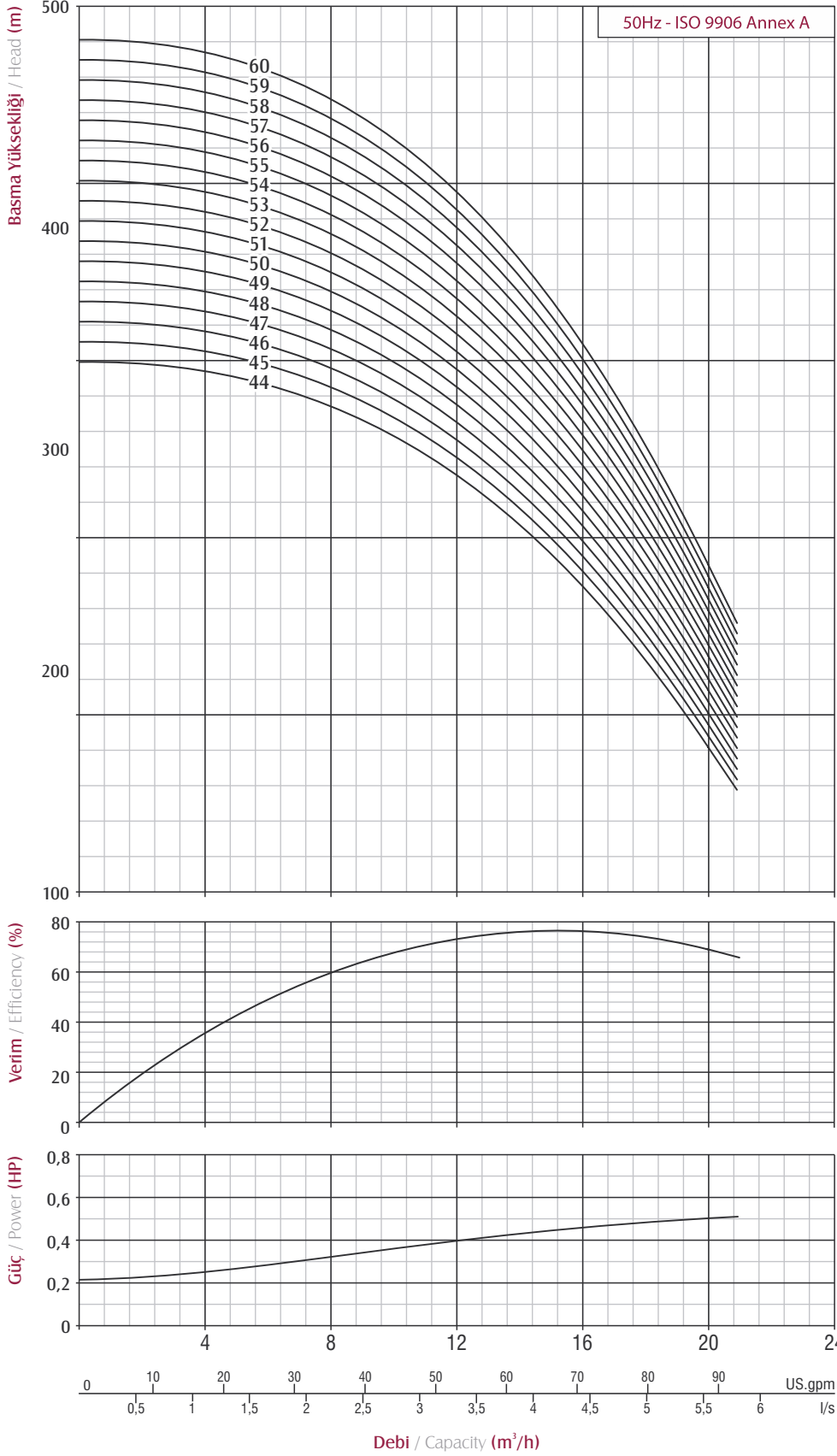
Pompa Tipi Pump Type	Kad. Sayısı Stages	Motor		Ölçüler / Dimensions (mm)					Ağırlık / Weight (kg)		
		kW	Hp	L	LM	LP	ΦM	ΦP	Motor Motor	Pompa Pump	Toplam Total
DMP SS6 17/28	28	15	20	2936	973	1963	142	132	72	45	117
DMP SS6 17/29	29	18,5	25	3030	1006	2024	142	132	76	46	122
DMP SS6 17/30	30	18,5	25	3090	1006	2084	142	132	76	47	123
DMP SS6 17/31	31	18,5	25	3151	1006	2145	142	132	76	49	125
DMP SS6 17/32	32	18,5	25	3211	1006	2205	142	132	76	50	126
DMP SS6 17/33	33	18,5	25	3272	1006	2266	142	132	76	52	128
DMP SS6 17/34	34	18,5	25	3332	1006	2326	142	132	76	53	129
DMP SS6 17/35	35	22	30	3493/3277	1106/890	2387	142/172	132	87/86	55	142/141
DMP SS6 17/36	36	22	30	3553/3337	1106/890	2447	142/172	132	87/86	56	143/142
DMP SS6 17/37	37	22	30	3614/3398	1106/890	2508	142/172	132	87/86	58	145/144
DMP SS6 17/38	38	22	30	3674/3458	1106/890	2568	142/172	132	87/86	59	146/145
DMP SS6 17/39	39	22	30	3735/3519	1106/890	2629	142/172	167	87/86	60	147/146
DMP SS6 17/40	40	22	30	3795/3579	1106/890	2689	142/172	167	87/86	62	149/148
DMP SS6 17/41	41	22	30	3856/3640	1106/890	2750	142/172	167	87/86	63	150/149
DMP SS6 17/42	42	26,5	35	4027/3750	1217/940	2810	142/172	167	98/91	65	163/156
DMP SS6 17/43	43	26,5	35	4088/3811	1217/940	2871	142/172	167	98/91	98	196/189

Performans Tablosu / Performance Table

Pompa Tipi Pump Type	Kad. Sayısı Stages	Motor		Akım Current (A)	m ³ /h l/s	0	6	8	10	12	14	16	18	20
		kW	Hp			0	1,7	2,2	2,8	3,3	3,9	4,4	5	5,6
DMP SS6 17/28	28	15	20	33,1	Basma Yüksekliği / Head (m)	324	318	311	301	286	267	244	216	184
DMP SS6 17/29	29	18,5	25	41,8		336	329	322	311	296	277	252	223	190
DMP SS6 17/30	30	18,5	25	41,8		347	340	333	322	307	286	261	231	197
DMP SS6 17/31	31	18,5	25	41,8		359	352	344	333	317	296	270	239	204
DMP SS6 17/32	32	18,5	25	41,8		371	363	355	343	327	305	278	246	210
DMP SS6 17/33	33	18,5	25	41,8		382	374	366	354	337	315	287	254	217
DMP SS6 17/34	34	18,5	25	41,8		394	386	377	365	348	325	296	262	223
DMP SS6 17/35	35	22	30	48,5		405	397	388	376	358	334	305	269	230
DMP SS6 17/36	36	22	30	48,5		417	408	400	386	368	344	313	277	236
DMP SS6 17/37	37	22	30	48,5		428	420	411	397	378	353	322	285	243
DMP SS6 17/38	38	22	30	48,5		440	431	422	408	388	363	331	293	250
DMP SS6 17/39	39	22	30	48,5		452	442	433	419	399	372	339	300	256
DMP SS6 17/40	40	22	30	48,5		463	454	444	429	409	382	348	308	263
DMP SS6 17/41	41	22	30	48,5		475	465	455	440	419	391	357	316	269
DMP SS6 17/42	42	26,5	35	56,4		486	477	466	451	429	401	365	323	276
DMP SS6 17/43	43	26,5	35	56,4		498	488	477	462	440	410	374	331	282

Ürün Özellikleri / Product Features

Performans Eğrileri / Performance Curves



DMP SS6 17

Ölçü Tablosu / Dimensions Table

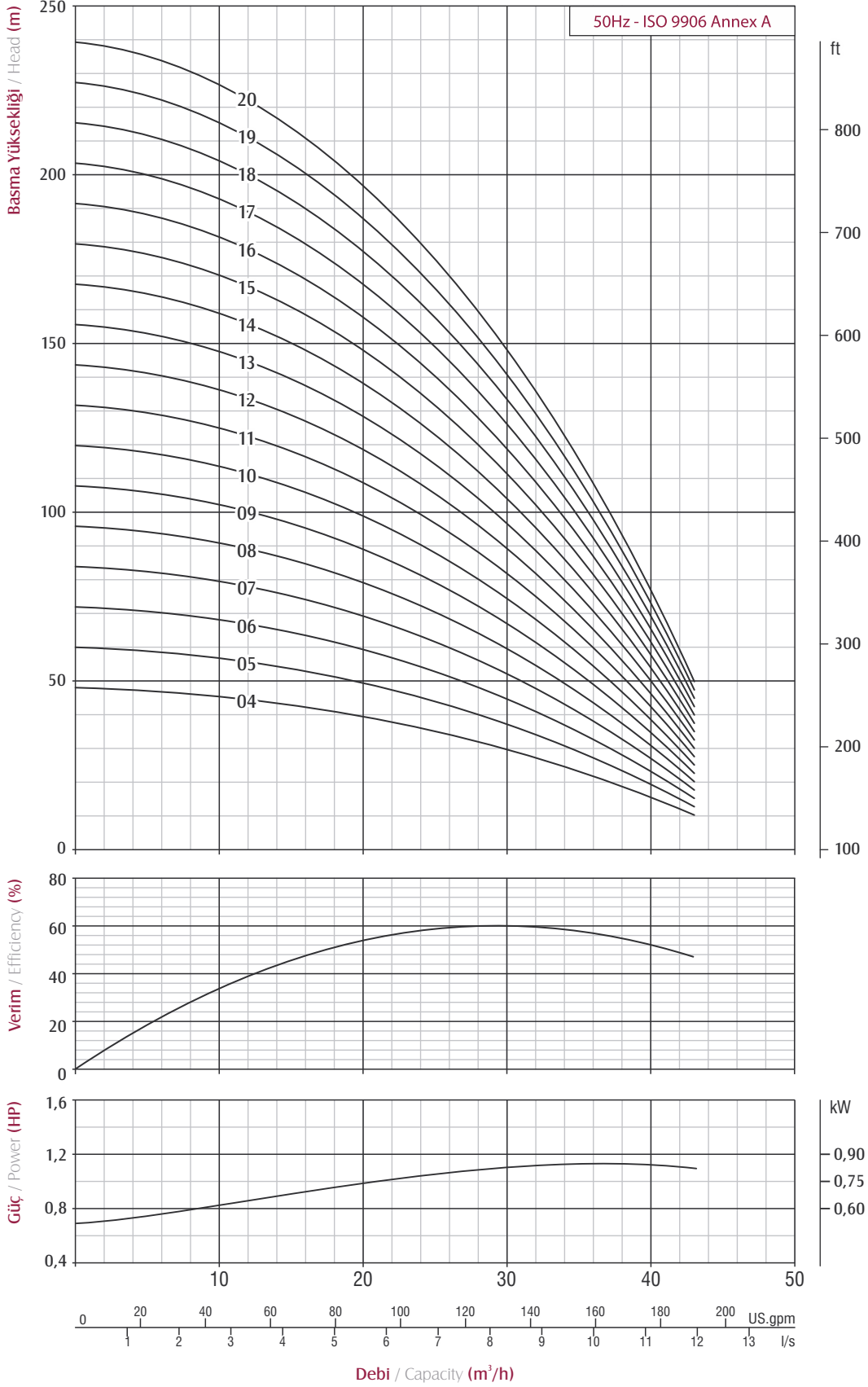
Pompa Tipi Pump Type	Kad. Sayısı Stages	Motor		Ölçüler / Dimensions (mm)					Ağırlık / Weight (kg)		
		kW	Hp	L	LM	LP	ΦM	ΦP	Motor Motor	Pompa Pump	Toplam Total
DMP SS6 17/44	44	26,5	35	4148/3871	1217/940	2931	142/172	167	98/91	100	198/191
DMP SS6 17/45	45	26,5	35	4209/3932	1217/940	2992	142/172	167	98/91	102	200/193
DMP SS6 17/46	46	26,5	35	4269/3992	1217/940	3052	142/172	167	98/91	103	201/194
DMP SS6 17/47	47	26,5	35	4330/4053	1217/940	3113	142/172	167	98/91	105	203/196
DMP SS6 17/48	48	26,5	35	4390/4113	1217/940	3173	142/172	167	98/91	107	205/198
DMP SS6 17/49	49	30	40	4481/4214/4290	1247/980/1056	3234	142/172/192	167	103/103/129	109	212/212/238
DMP SS6 17/50	50	30	40	4541/4274/4350	1247/980/1056	3294	142/172/192	167	103/103/129	111	214/214/240
DMP SS6 17/51	51	30	40	4602/4335/4411	1247/980/1056	3355	142/172/192	167	103/103/129	112	215/215/241
DMP SS6 17/52	52	30	40	4662/4395/4471	1247/980/1056	3415	142/172/192	167	103/103/129	114	217/217/243
DMP SS6 17/53	53	30	40	4723/4456/4532	1247/980/1056	3476	142/172/192	167	103/103/129	116	219/219/245
DMP SS6 17/54	54	30	40	4783/4516/4592	1247/980/1056	3536	142/172/192	167	103/103/129	118	221/221/247
DMP SS6 17/55	55	30	40	4844/4577/4653	1247/980/1056	3597	142/172/192	167	103/103/129	120	223/223/249
DMP SS6 17/56	56	30	40	4904/4637/4713	1247/980/1056	3657	142/172/192	167	103/103/129	121	224/224/250
DMP SS6 17/57	57	37	50	5065/4778/4834	1347/1060/1116	3718	142/172/192	167	110/113/138	123	233/236/261
DMP SS6 17/58	58	37	50	5125/4838/4894	1347/1060/1116	3778	142/172/192	167	110/113/138	125	235/238/263
DMP SS6 17/59	59	37	50	5186/4899/4955	1347/1060/1116	3839	142/172/192	167	110/113/138	127	237/240/265
DMP SS6 17/60	60	37	50	5246/4959/5015	1347/1060/1116	3899	142/172/192	167	110/113/138	129	239/242/267

Performans Tablosu / Performance Table

Pompa Tipi Pump Type	Kad. Sayısı Stages	Motor		Akım Current (A)	m ³ /h l/s	0	6	8	10	12	14	16	18	20
		kW	Hp			0	1,7	2,2	2,8	3,3	3,9	4,4	5	5,6
DMP SS6 17/44	44	26,5	35	56,4	Basma Yüksekliği / Head (m)	510	499	488	472	450	420	383	339	289
DMP SS6 17/45	45	26,5	35	56,4		521	511	499	483	460	430	391	346	296
DMP SS6 17/46	46	26,5	35	56,4		533	522	511	494	470	439	400	354	302
DMP SS6 17/47	47	26,5	35	56,4		544	533	522	504	480	449	409	362	309
DMP SS6 17/48	48	26,5	35	56,4		556	545	533	515	491	458	418	370	315
DMP SS6 17/49	49	30	40	61,7		567	556	544	526	501	468	426	377	322
DMP SS6 17/50	50	30	40	61,7		579	567	555	537	511	477	435	385	328
DMP SS6 17/51	51	30	40	61,7		591	579	566	547	521	487	444	393	335
DMP SS6 17/52	52	30	40	61,7		602	590	577	558	532	496	452	400	342
DMP SS6 17/53	53	30	40	61,7		614	601	588	569	542	506	461	408	348
DMP SS6 17/54	54	30	40	61,7		625	613	599	580	552	515	470	416	355
DMP SS6 17/55	55	30	40	61,7		637	624	610	590	562	525	478	423	361
DMP SS6 17/56	56	30	40	61,7		648	635	622	601	572	535	487	431	368
DMP SS6 17/57	57	37	50	74,3		660	647	633	612	583	544	496	439	374
DMP SS6 17/58	58	37	50	74,3		672	658	644	623	593	554	505	447	381
DMP SS6 17/59	59	37	50	74,3		683	669	655	633	603	563	513	454	388
DMP SS6 17/60	60	37	50	74,3		695	681	666	644	613	573	522	462	394

Ürün Özellikleri / Product Features

Performans Eğrileri / Performance Curves



DMP SS6 30

Ölçü Tablosu / Dimensions Table

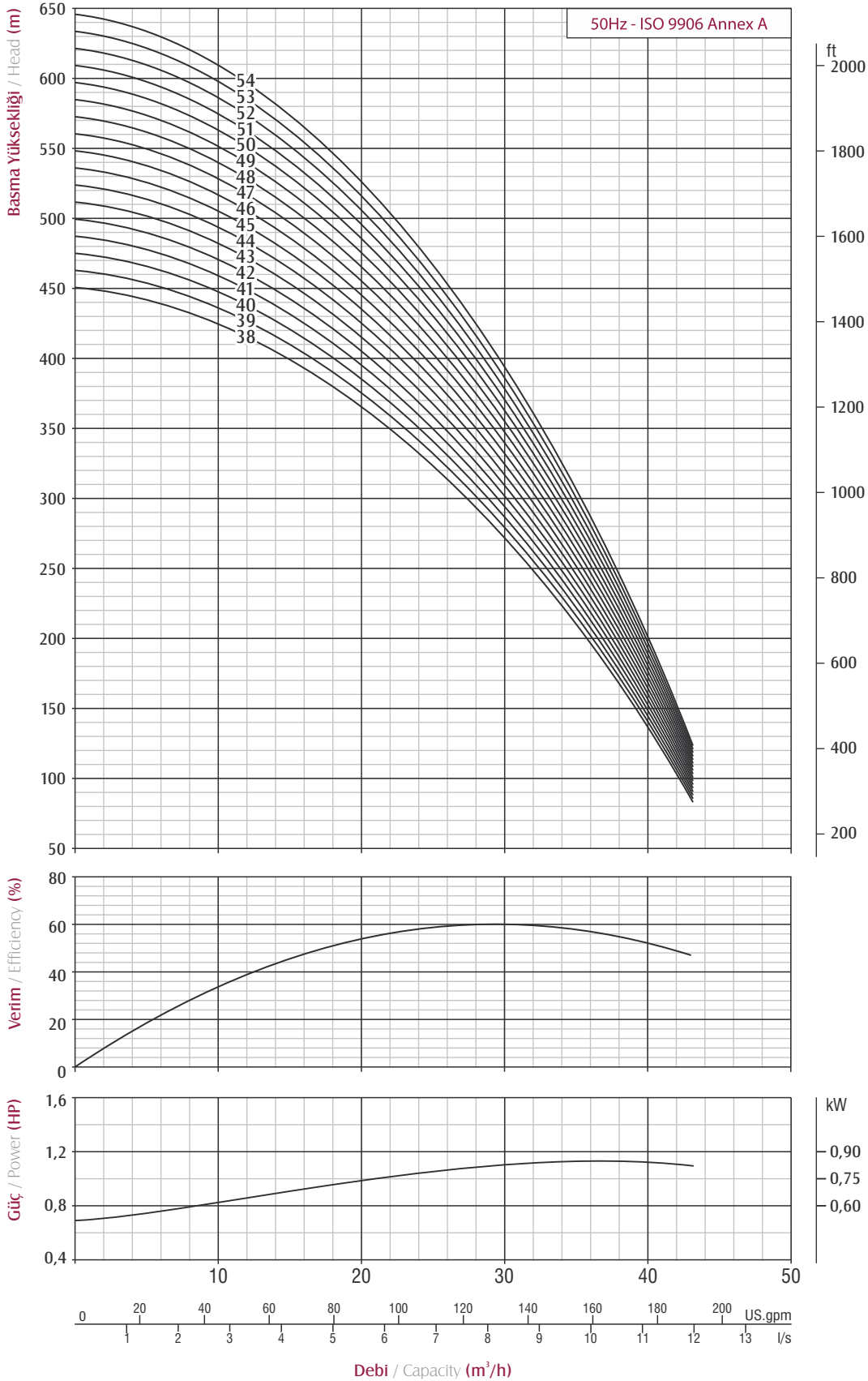
Pompa Tipi Pump Type	Kad. Sayısı Stages	Motor		Ölçüler / Dimensions (mm)					Ağırlık / Weight (kg)		
		kW	Hp	L	LM	LP	ΦM	ΦP	Motor Motor	Pompa Pump	Toplam Total
DMP SS6 30/04	4	4	5,5	1298	649	649	142	132	40	13	53
DMP SS6 30/05	5	5,5	7,5	1422	678	744	142	132	43,5	15	58,5
DMP SS6 30/06	6	5,5	7,5	1517	678	839	142	132	43,5	17	60,5
DMP SS6 30/07	7	7,5	10	1692	758	934	142	132	50	19	69
DMP SS6 30/08	8	7,5	10	1787	758	1029	142	132	50	21	71
DMP SS6 30/09	9	9,3	12,5	1924	800	1124	142	132	55	23	78
DMP SS6 30/10	10	9,3	12,5	2019	800	1219	142	132	55	25	80
DMP SS6 30/11	11	9,3	12,5	2114	800	1314	142	132	55	27	82
DMP SS6 30/12	12	11	15	2260	851	1409	142	132	60	29	89
DMP SS6 30/13	13	11	15	2355	851	1504	142	132	60	31	91
DMP SS6 30/14	14	13	17,5	2510	911	1599	142	132	65	33	98
DMP SS6 30/15	15	13	17,5	2605	911	1694	142	132	65	36	101
DMP SS6 30/16	16	15	20	2762	973	1789	142	132	72	38	110
DMP SS6 30/17	17	15	20	2857	973	1884	142	132	72	40	112
DMP SS6 30/18	18	18,5	25	2985	1006	1979	142	132	76	42	118
DMP SS6 30/19	19	18,5	25	3080	1006	2074	142	132	76	44	120
DMP SS6 30/20	20	18,5	25	3175	1006	2169	142	132	76	46	122

Performans Tablosu / Performance Table

Pompa Tipi Pump Type	Kad. Sayısı Stages	Motor		Akım Current (A)	m ³ /h l/s	0	7,2	14,4	21,6	28,8	36	43,2
		kW	Hp			0	2	4	6	8	10	12
DMP SS6 30/04	4	4	5,5	10,2	Basma Yüksekliği / Head (m)	48	46	43	38	31	22	10
DMP SS6 30/05	5	5,5	7,5	13,3		60	58	54	47	39	27	12
DMP SS6 30/06	6	5,5	7,5	13,3		72	69	64	57	46	33	15
DMP SS6 30/07	7	7,5	10	17,2		84	81	75	66	54	38	17
DMP SS6 30/08	8	7,5	10	17,2		96	92	86	76	62	44	20
DMP SS6 30/09	9	9,3	12,5	20,8		108	104	97	85	70	49	22
DMP SS6 30/10	10	9,3	12,5	20,8		119	116	107	95	77	54	25
DMP SS6 30/11	11	9,3	12,5	20,8		131	127	118	104	85	60	27
DMP SS6 30/12	12	11	15	23,7		143	139	129	113	93	65	30
DMP SS6 30/13	13	11	15	23,7		155	150	139	123	100	71	32
DMP SS6 30/14	14	13	17,5	28,7		167	162	150	132	108	76	35
DMP SS6 30/15	15	13	17,5	28,7		179	173	161	142	116	82	37
DMP SS6 30/16	16	15	20	33,1		191	185	172	151	124	87	40
DMP SS6 30/17	17	15	20	33,1		203	196	182	161	131	93	42
DMP SS6 30/18	18	18,5	25	41,8		215	208	193	170	139	98	45
DMP SS6 30/19	19	18,5	25	41,8		227	220	204	180	147	103	47
DMP SS6 30/20	20	18,5	25	41,8		239	231	214	189	155	109	50

Ürün Özellikleri / Product Features

Performans Eğrileri / Performance Curves



DMP SS6 30

Ölçü Tablosu / Dimensions Table

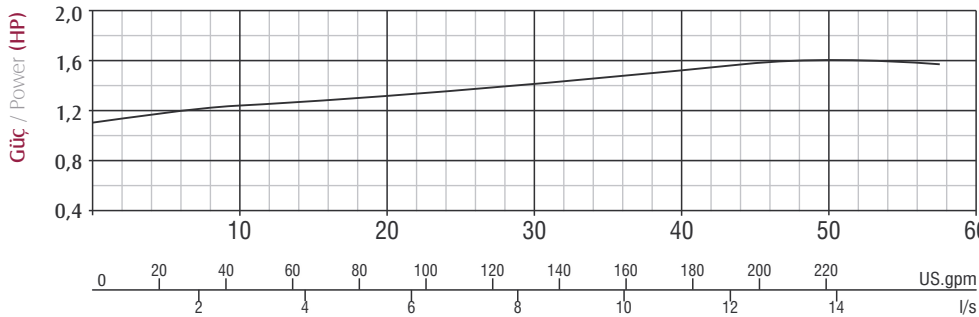
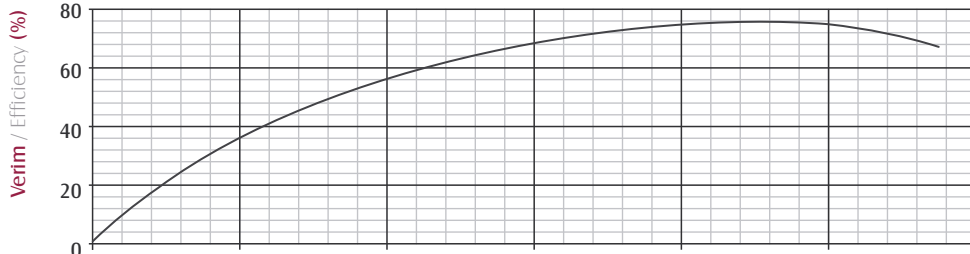
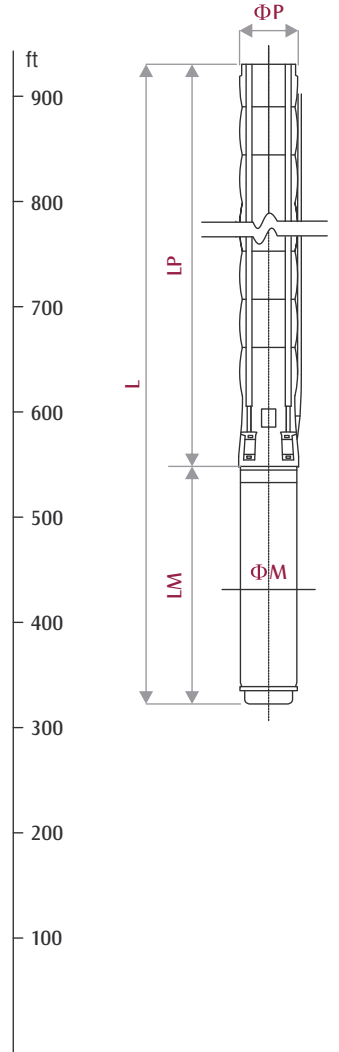
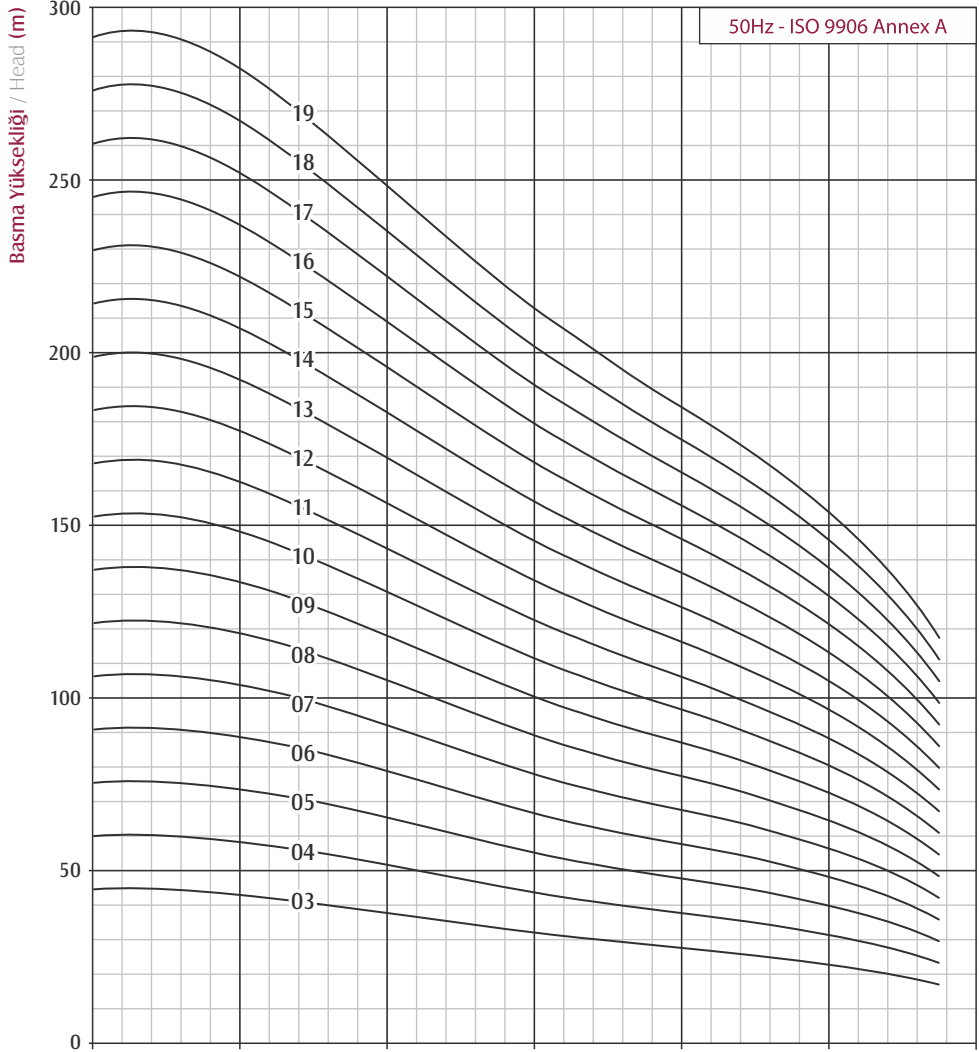
Pompa Tipi Pump Type	Kad. Sayısı Stages	Motor		Ölçüler / Dimensions (mm)					Ağırlık / Weight (kg)		
		kW	Hp	L	LM	LP	ΦM	ΦP	Motor Motor	Pompa Pump	Toplam Total
DMP SS6 30/38	38	30	40	5126/4859/4935	1247/980/1056	3879	142/172/192	132	103/103/129	83	186/186/212
DMP SS6 30/39	39	37	50	5321/5034/5090	1347/1060/1116	3974	142/172/192	167	110/113/138	124	234/237/262
DMP SS6 30/40	40	37	50	5416/5129/5185	1347/1060/1116	4069	142/172/192	167	110/113/138	126	236/239/264
DMP SS6 30/41	41	37	50	5511/5224/5280	1347/1060/1116	4164	142/172/192	167	110/113/138	129	239/242/267
DMP SS6 30/42	42	37	50	5606/5319/5375	1347/1060/1116	4259	142/172/192	167	110/113/138	132	242/245/270
DMP SS6 30/43	43	45	60	5493/5555	1139/1201	4354	172/192	167	127/152	134	261/286
DMP SS6 30/44	44	45	60	5588/5650	1139/1201	4449	172/192	167	127/152	137	264/289
DMP SS6 30/45	45	45	60	5683/5745	1139/1201	4544	172/192	167	127/152	139	266/291
DMP SS6 30/46	46	45	60	5778/5840	1139/1201	4639	172/192	167	127/152	142	269/294
DMP SS6 30/47	47	45	60	5873/5935	1139/1201	4734	172/192	167	127/152	145	272/297
DMP SS6 30/48	48	45	60	5968/6030	1139/1201	4829	172/192	167	127/152	147	274/299
DMP SS6 30/49	49	45	60	6063/6125	1139/1201	4924	172/192	167	127/152	150	277/302
DMP SS6 30/50	50	45	60	6158/6220	1139/1201	5019	172/192	167	127/152	152	279/304
DMP SS6 30/51	51	45	60	6253/6315	1139/1201	5114	172/192	167	127/152	155	282/307
DMP SS6 30/52	52	52	70	6427/6495	1218/1286	5209	172/192	167	138/170	158	296/328
DMP SS6 30/53	53	52	70	6522/6590	1218/1286	5304	172/192	167	138/170	160	298/330
DMP SS6 30/54	54	52	70	6617/6685	1218/1286	5399	172/192	167	138/170	163	301/333

Performans Tablosu / Performance Table

Pompa Tipi Pump Type	Kad. Sayısı Stages	Motor		Akım Current (A)	m ³ /h l/s	0	7,2	14,4	21,6	28,8	36	43,2
		kW	Hp			0	2	4	6	8	10	12
DMP SS6 30/38	38	30	40	61,7	Basma Yüksekliği / Head (m)	454	439	407	359	294	207	94
DMP SS6 30/39	39	37	50	74,3		466	451	418	369	301	212	97
DMP SS6 30/40	40	37	50	74,3		478	462	429	378	309	218	99
DMP SS6 30/41	41	37	50	74,3		490	474	440	388	317	223	102
DMP SS6 30/42	42	37	50	74,3		502	485	450	397	324	229	104
DMP SS6 30/43	43	45	60	90,4		514	497	461	407	332	234	107
DMP SS6 30/44	44	45	60	90,4		526	509	472	416	340	240	109
DMP SS6 30/45	45	45	60	90,4		538	520	483	426	348	245	111
DMP SS6 30/46	46	45	60	90,4		550	532	493	435	355	250	114
DMP SS6 30/47	47	45	60	90,4		561	543	504	444	363	256	116
DMP SS6 30/48	48	45	60	90,4		573	555	515	454	371	261	119
DMP SS6 30/49	49	45	60	90,4		585	566	525	463	379	267	121
DMP SS6 30/50	50	45	60	90,4		597	578	536	473	386	272	124
DMP SS6 30/51	51	45	60	90,4		609	589	547	482	394	278	126
DMP SS6 30/52	52	52	70	103,3		621	601	558	492	402	283	129
DMP SS6 30/53	53	52	70	103,3		633	613	568	501	409	289	131
DMP SS6 30/54	54	52	70	103,3		645	624	579	511	417	294	134

Ürün Özellikleri / Product Features

Performans Eğrileri / Performance Curves



Debi / Capacity (m³/h)

Pompa performans eğrileri 1 bar atmosfer basıncı altında 15 °C sıcaklığındaki, özgül yoğunluğu 1 gr/cm³ olan su ile elde edilmiştir.

The hydraulic working characteristics have been taken with water at 15 °C, at the atmospheric pressure of 1 bar and specific gravity is 1 gr/cm³

DMP SS6 45

Ölçü Tablosu / Dimensions Table

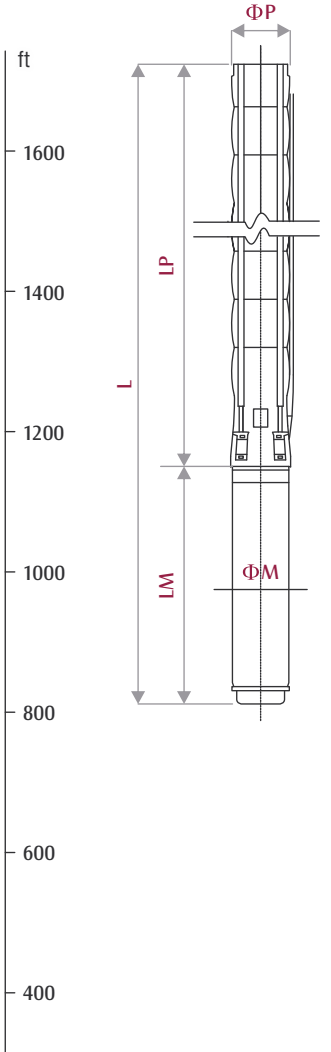
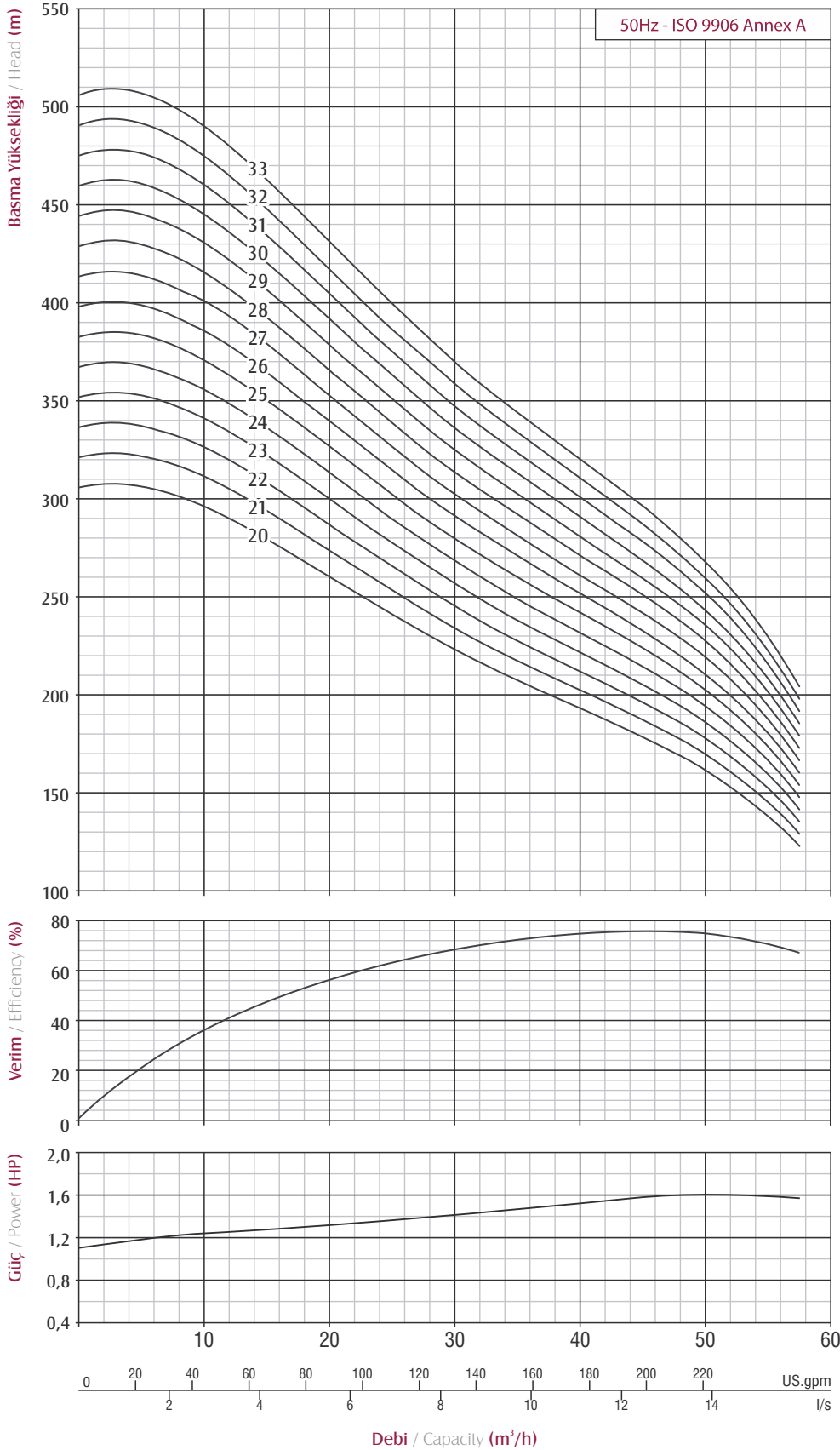
Pompa Tipi Pump Type	Kad. Sayısı Stages	Motor		Ölçüler / Dimensions (mm)					Ağırlık / Weight (kg)		
		kW	Hp	L	LM	LP	ΦM	ΦP	Motor Motor	Pompa Pump	Toplam Total
DMP SS6 45/03	3	5,5	7,5	1284	678	606	142	144	43,5	12	55,5
DMP SS6 45/04	4	7,5	10	1476	758	718	142	144	50	15	65
DMP SS6 45/05	5	7,5	10	1588	758	830	142	144	50	18	68
DMP SS6 45/06	6	9,3	12,5	1742	800	942	142	144	55	20	75
DMP SS6 45/07	7	11	15	1905	851	1054	142	144	60	23	83
DMP SS6 45/08	8	13	17,5	2077	911	1166	142	144	65	26	91
DMP SS6 45/09	9	15	20	2251	973	1278	142	144	72	28	100
DMP SS6 45/10	10	18,5	25	2396	1006	1390	142	144	76	31	107
DMP SS6 45/11	11	18,5	25	2508	1006	1502	142	144	76	34	110
DMP SS6 45/12	12	22	30	2720/2504	1106/890	1614	142/172	144	87/86	36	123/122
DMP SS6 45/13	13	22	30	2832/2616	1106/890	1726	142/172	144	87/86	39	126/125
DMP SS6 45/14	14	22	30	2944/2728	1106/890	1838	142/172	144	87/86	42	129/128
DMP SS6 45/15	15	26,5	35	3167/2890	1217/940	1950	142/172	144	98/91	44	142/135
DMP SS6 45/16	16	26,5	35	3279/3002	1217/940	2062	142/172	144	98/91	47	145/138
DMP SS6 45/17	17	30	40	3421/3154/3230	1247/980/1056	2174	142/172/192	144	103/103/129	49	152/152/178
DMP SS6 45/18	18	30	40	3533/3266/3342	1247/980/1056	2286	142/172/192	144	103/103/129	52	155/155/181
DMP SS6 45/19	19	37	50	3745/3458/3514	1347/1060/1116	2398	142/172/192	144	110/113/138	55	165/168/193

Performans Tablosu / Performance Table

Pompa Tipi Pump Type	Kad. Sayısı Stages	Motor		Akım Current (A)	m ³ /h l/s	0	21,6	28,8	36	43,2	46,8	50,4	58
		kW	Hp			0	6	8	10	12	13	14	16,1
DMP SS6 45/03	3	5,5	7,5	13,3	Basma Yüksekliği / Head (m)	45	39	35	32	28	26	24	20
DMP SS6 45/04	4	7,5	10	17,2		60	52	47	42	38	35	32	26
DMP SS6 45/05	5	7,5	10	17,2		74	65	59	53	47	44	41	33
DMP SS6 45/06	6	9,3	12,5	20,8		89	78	71	64	56	53	49	39
DMP SS6 45/07	7	11	15	23,7		104	91	83	74	66	61	57	46
DMP SS6 45/08	8	13	17,5	28,7		119	104	95	85	75	70	65	52
DMP SS6 45/09	9	15	20	33,1		134	117	106	95	85	79	73	59
DMP SS6 45/10	10	18,5	25	41,8		149	130	118	106	94	88	81	65
DMP SS6 45/11	11	18,5	25	41,8		164	144	130	117	103	96	89	72
DMP SS6 45/12	12	22	30	48,5		179	157	142	127	113	105	97	78
DMP SS6 45/13	13	22	30	48,5		193	170	154	138	122	114	106	85
DMP SS6 45/14	14	22	30	48,5		208	183	166	148	131	123	114	91
DMP SS6 45/15	15	26,5	35	56,4		223	196	177	159	141	132	122	98
DMP SS6 45/16	16	26,5	35	56,4		238	209	189	170	150	140	130	104
DMP SS6 45/17	17	30	40	61,7		253	222	201	180	160	149	138	111
DMP SS6 45/18	18	30	40	61,7		268	235	213	191	169	158	146	117
DMP SS6 45/19	19	37	50	74,3		283	248	225	201	178	167	154	124

Ürün Özellikleri / Product Features

Performans Eğrileri / Performance Curves



DMP SS6 45

Ölçü Tablosu / Dimensions Table

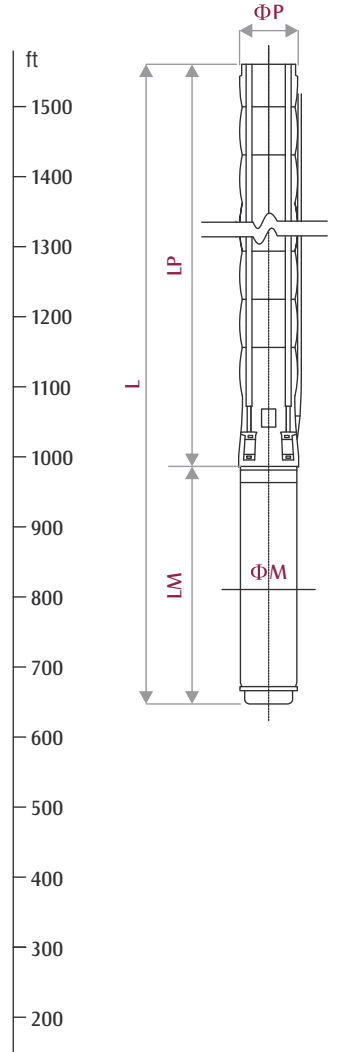
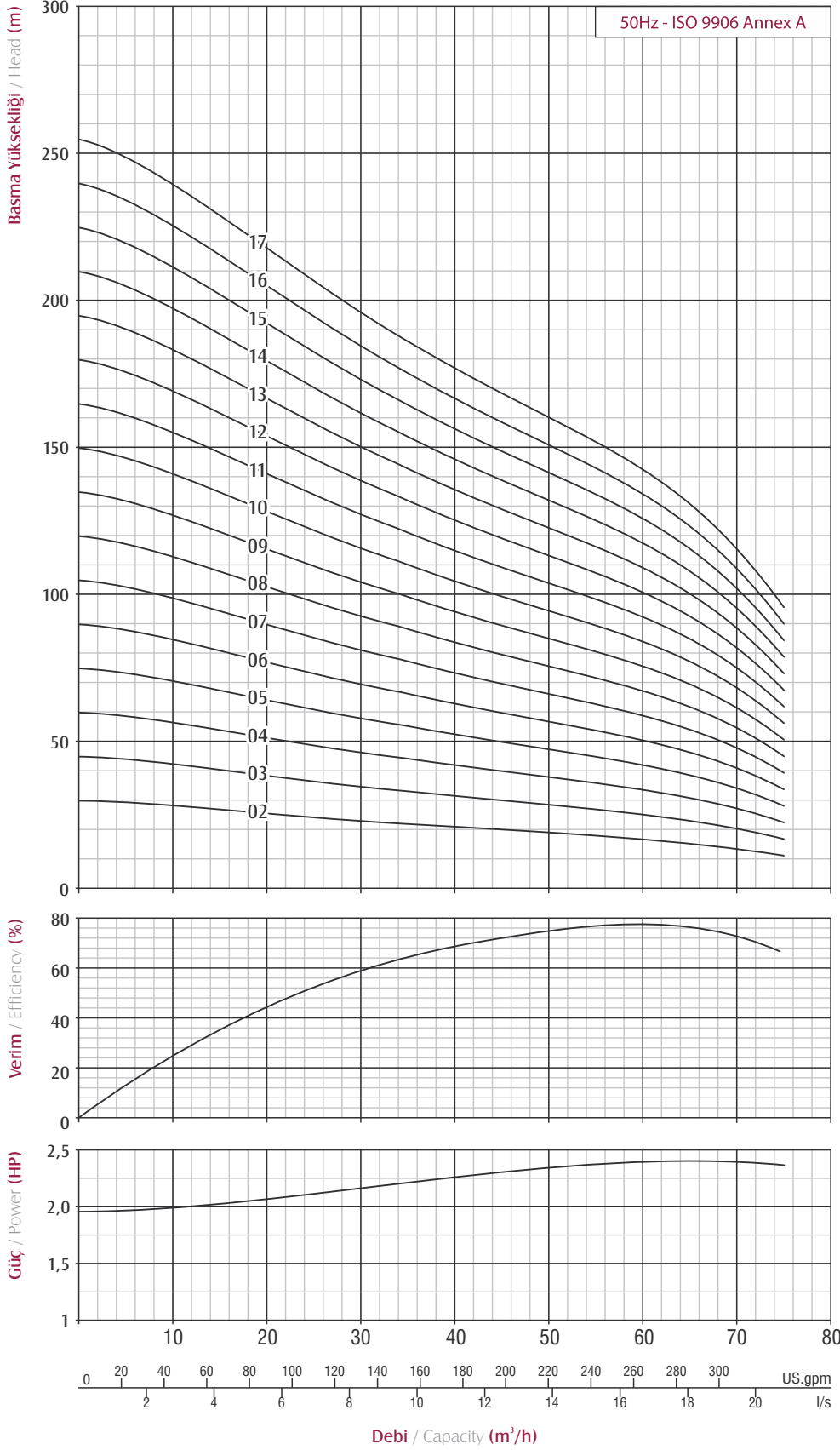
Pompa Tipi Pump Type	Kad. Sayısı Stages	Motor		Ölçüler / Dimensions (mm)					Ağırlık / Weight (kg)		
		kW	Hp	L	LM	LP	ΦM	ΦP	Motor Motor	Pompa Pump	Toplam Total
DMP SS6 45/20	20	37	50	3857/3570/3626	1347/1060/1116	2510	142/172/192	144	110/113/138	57	167/170/195
DMP SS6 45/21	21	37	50	3969/3682/3738	1347/1060/1116	2622	142/172/192	144	110/113/138	60	170/173/198
DMP SS6 45/22	22	37	50	4081/3794/3850	1347/1060/1116	2734	142/172/192	144	110/113/138	63	173/176/201
DMP SS6 45/23	23	37	50	4193/3906/3962	1347/1060/1116	2846	142/172/192	144	110/113/138	65	175/178/203
DMP SS6 45/24	24	45	60	4097/4159	1139/1201	2958	172/192	144	127/152	68	195/220
DMP SS6 45/25	25	45	60	4209/4271	1139/1201	3070	172/192	144	127/152	71	198/223
DMP SS6 45/26	26	45	60	4321/4383	1139/1201	3182	172/192	144	127/152	73	200/225
DMP SS6 45/27	27	45	60	4433/4495	1139/1201	3294	172/192	144	127/152	76	203/228
DMP SS6 45/28	28	45	60	4545/4607	1139/1201	3406	172/192	144	127/152	79	206/231
DMP SS6 45/29	29	45	60	4657/4719	1139/1201	3518	172/192	144	127/152	81	208/233
DMP SS6 45/30	30	45	60	4769/4831	1139/1201	3630	172/192	144	127/152	84	211/236
DMP SS6 45/31	31	55	75	4992/5028	1250/1286	3742	172/192	144	138/170	86	224/256
DMP SS6 45/32	32	55	75	5104/5140	1250/1286	3854	172/192	144	138/170	89	227/259
DMP SS6 45/33	33	55	75	5216/5252	1250/1286	3966	172/192	144	138/170	92	230/262

Performans Tablosu / Performance Table

Pompa Tipi Pump Type	Kad. Sayısı Stages	Motor		Akım Current (A)	m ³ /h l/s	0	21,6	28,8	36	43,2	46,8	50,4	58
		kW	Hp			0	6	8	10	12	13	14	16,1
DMP SS6 45/20	20	37	50	74,3	Basma Yüksekliği / Head (m)	298	261	237	212	188	175	162	130
DMP SS6 45/21	21	37	50	74,3		313	274	248	223	197	184	171	137
DMP SS6 45/22	22	37	50	74,3		327	287	260	233	207	193	179	144
DMP SS6 45/23	23	37	50	74,3		342	300	272	244	216	202	187	150
DMP SS6 45/24	24	45	60	90,4		357	313	284	254	225	211	195	157
DMP SS6 45/25	25	45	60	90,4		372	326	296	265	235	219	203	163
DMP SS6 45/26	26	45	60	90,4		387	339	307	276	244	228	211	170
DMP SS6 45/27	27	45	60	90,4		402	352	319	286	254	237	219	176
DMP SS6 45/28	28	45	60	90,4		417	365	331	297	263	246	227	183
DMP SS6 45/29	29	45	60	90,4		432	378	343	307	272	254	236	189
DMP SS6 45/30	30	45	60	90,4		447	391	355	318	282	263	244	196
DMP SS6 45/31	31	55	75	110,5		461	404	367	329	291	272	252	202
DMP SS6 45/32	32	55	75	110,5		476	417	378	339	300	281	260	209
DMP SS6 45/33	33	55	75	110,5		491	431	390	350	310	289	268	215

Ürün Özellikleri / Product Features

Performans Eğrileri / Performance Curves



DMP SS6 60

Ölçü Tablosu / Dimensions Table

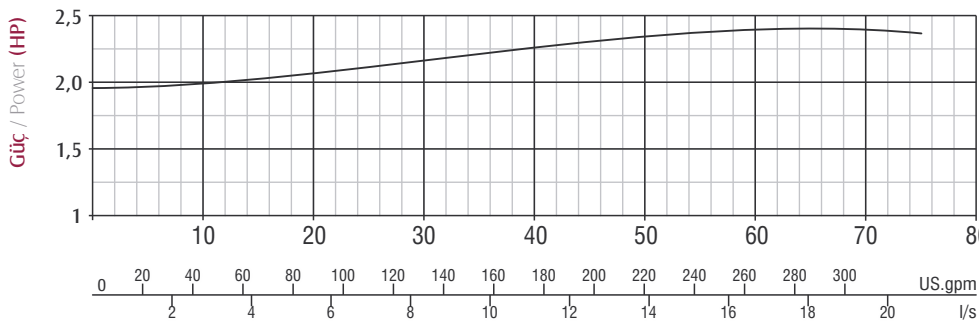
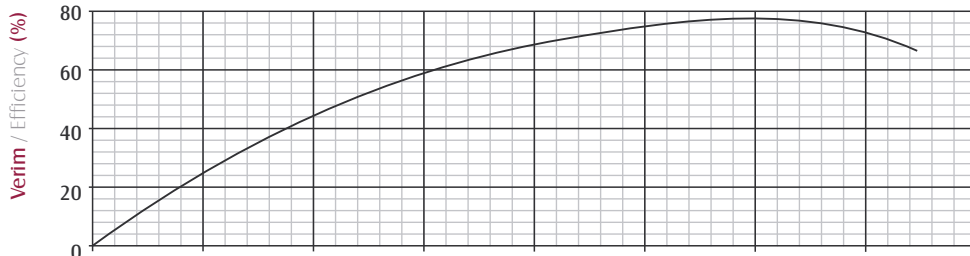
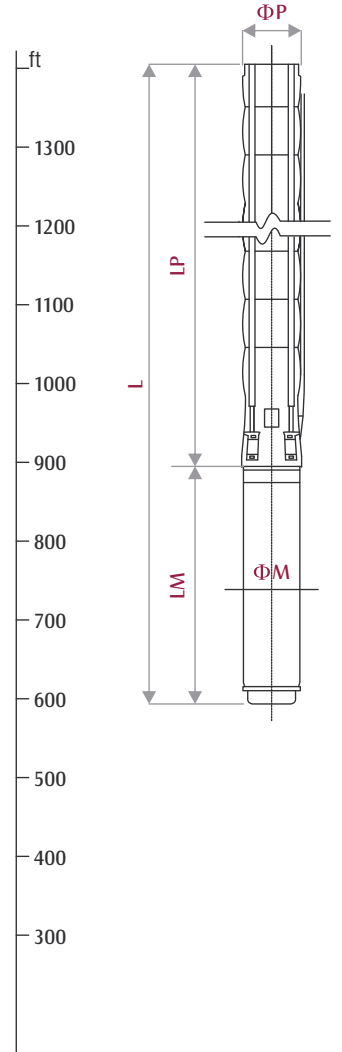
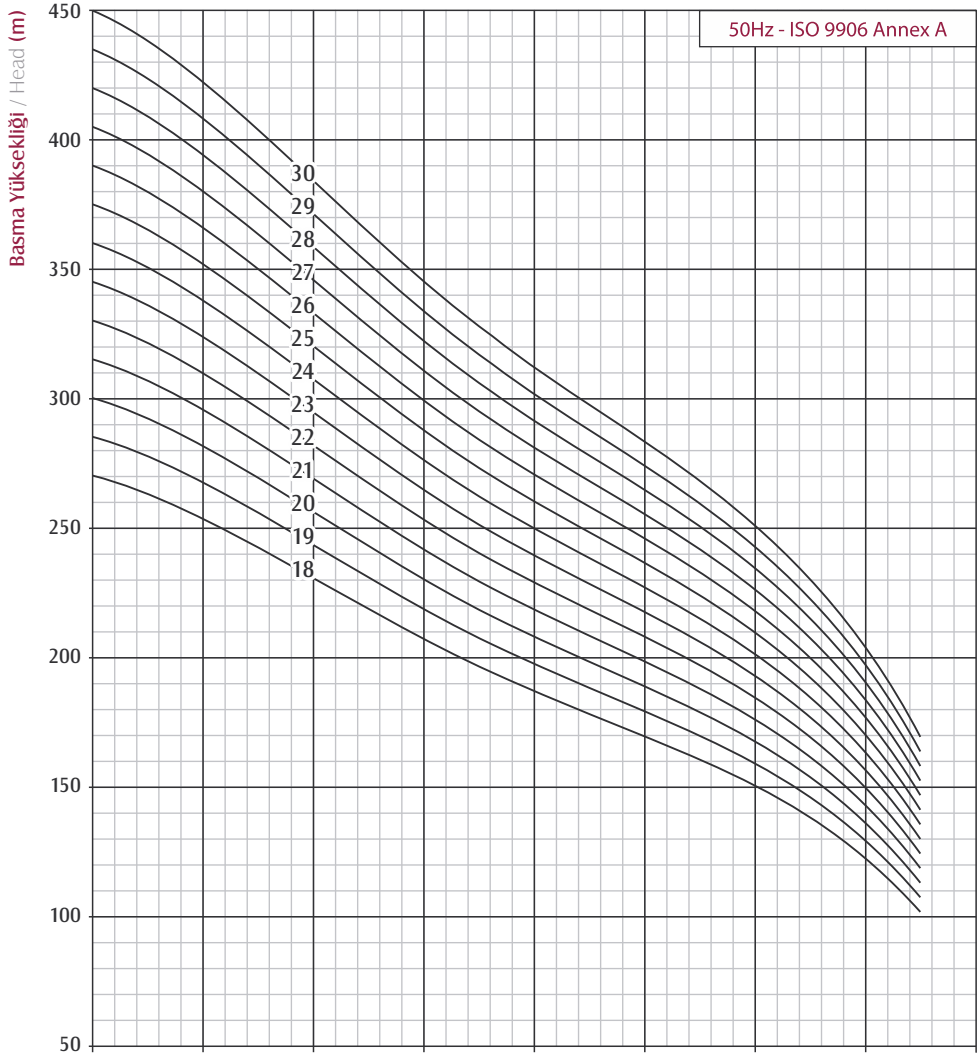
Pompa Tipi Pump Type	Kad. Sayısı Stages	Motor		Ölçüler / Dimensions (mm)					Ağırlık / Weight (kg)		
		kW	Hp	L	LM	LP	ΦM	ΦP	Motor Motor	Pompa Pump	Toplam Total
DMP SS6 60/02	2	4	5,5	1143	649	494	142	144	40	10	50
DMP SS6 60/03	3	5,5	7,5	1284	678	606	142	144	43,5	12	55,5
DMP SS6 60/04	4	7,5	10	1476	758	718	142	144	50	15	65
DMP SS6 60/05	5	9,3	12,5	1630	800	830	142	144	55	18	73
DMP SS6 60/06	6	11	15	1793	851	942	142	144	60	20	80
DMP SS6 60/07	7	13	17,5	1965	911	1054	142	144	65	23	88
DMP SS6 60/08	8	15	20	2139	973	1166	142	144	72	26	98
DMP SS6 60/09	9	18,5	25	2284	1006	1278	142	144	76	28	104
DMP SS6 60/10	10	18,5	25	2396	1006	1390	142	144	76	31	107
DMP SS6 60/11	11	22	30	2608/2392	1106/890	1502	142/172	144	87/86	34	121/120
DMP SS6 60/12	12	22	30	2720/2504	1106/890	1614	142/172	144	87/86	36	123/122
DMP SS6 60/13	13	27	35	2943/2666	1217/940	1726	142/172	144	98/91	39	137/130
DMP SS6 60/14	14	27	35	3055/2778	1217/940	1838	142/172	144	98/91	42	140/133
DMP SS6 60/15	15	30	40	3197/2930/3006	1247/980/1056	1950	142/172/192	144	103/103/129	44	147/147/173
DMP SS6 60/16	16	30	40	3309/3042/3118	1247/980/1056	2062	142/172/192	144	103/103/129	47	150/150/176
DMP SS6 60/17	17	30	40	3421/3154/3230	1247/980/1056	2174	142/172/192	144	103/103/129	50	153/153/179

Performans Tablosu / Performance Table

Pompa Tipi Pump Type	Kad. Sayısı Stages	Motor		Akım Current (A)	m ³ /h l/s	0	30	36	43	51	58	65	72	76
		kW	Hp			0	8,3	10	11,9	14,2	16,1	18,1	20	21,1
DMP SS6 60/02	2	4	5,5	10,2	Basma Yüksekliği / Head (m)	30	23	22	20	19	17	15	12	10
DMP SS6 60/03	3	5,5	7,5	13,3		44	35	33	31	28	26	23	18	15
DMP SS6 60/04	4	7,5	10	17,2		59	47	44	41	38	35	31	25	20
DMP SS6 60/05	5	9,3	12,5	20,8		74	59	55	51	47	43	38	31	25
DMP SS6 60/06	6	11	15	23,7		89	70	66	61	56	52	46	37	30
DMP SS6 60/07	7	13	17,5	28,7		104	82	77	72	66	60	53	43	35
DMP SS6 60/08	8	15	20	33,1		118	94	88	82	75	69	61	49	40
DMP SS6 60/09	9	18,5	25	41,8		133	105	99	92	85	78	69	55	45
DMP SS6 60/10	10	18,5	25	41,8		148	117	110	102	94	86	76	62	50
DMP SS6 60/11	11	22	30	48,5		163	129	121	112	104	95	84	68	55
DMP SS6 60/12	12	22	30	48,5		178	140	132	123	113	104	92	74	60
DMP SS6 60/13	13	27	35	56,4		192	152	143	133	122	112	99	80	65
DMP SS6 60/14	14	27	35	56,4		207	164	154	143	132	121	107	86	70
DMP SS6 60/15	15	30	40	61,7		222	176	165	153	141	130	114	92	75
DMP SS6 60/16	16	30	40	61,7		237	187	176	164	151	138	122	99	80
DMP SS6 60/17	17	30	40	61,7		252	199	187	174	160	147	130	105	85

Ürün Özellikleri / Product Features

Performans Eğrileri / Performance Curves



Debi / Capacity (m³/h)

Pompa performans eğrileri 1 bar atmosfer basıncı altında 15 °C sıcaklığındaki, özgül yoğunluğu 1 gr/cm³ olan su ile elde edilmiştir.
The hydraulic working characteristics have been taken with water at 15 °C, at the atmospheric pressure of 1 bar and specific gravity is 1 gr/cm³

DMP SS6 60

Ölçü Tablosu / Dimensions Table

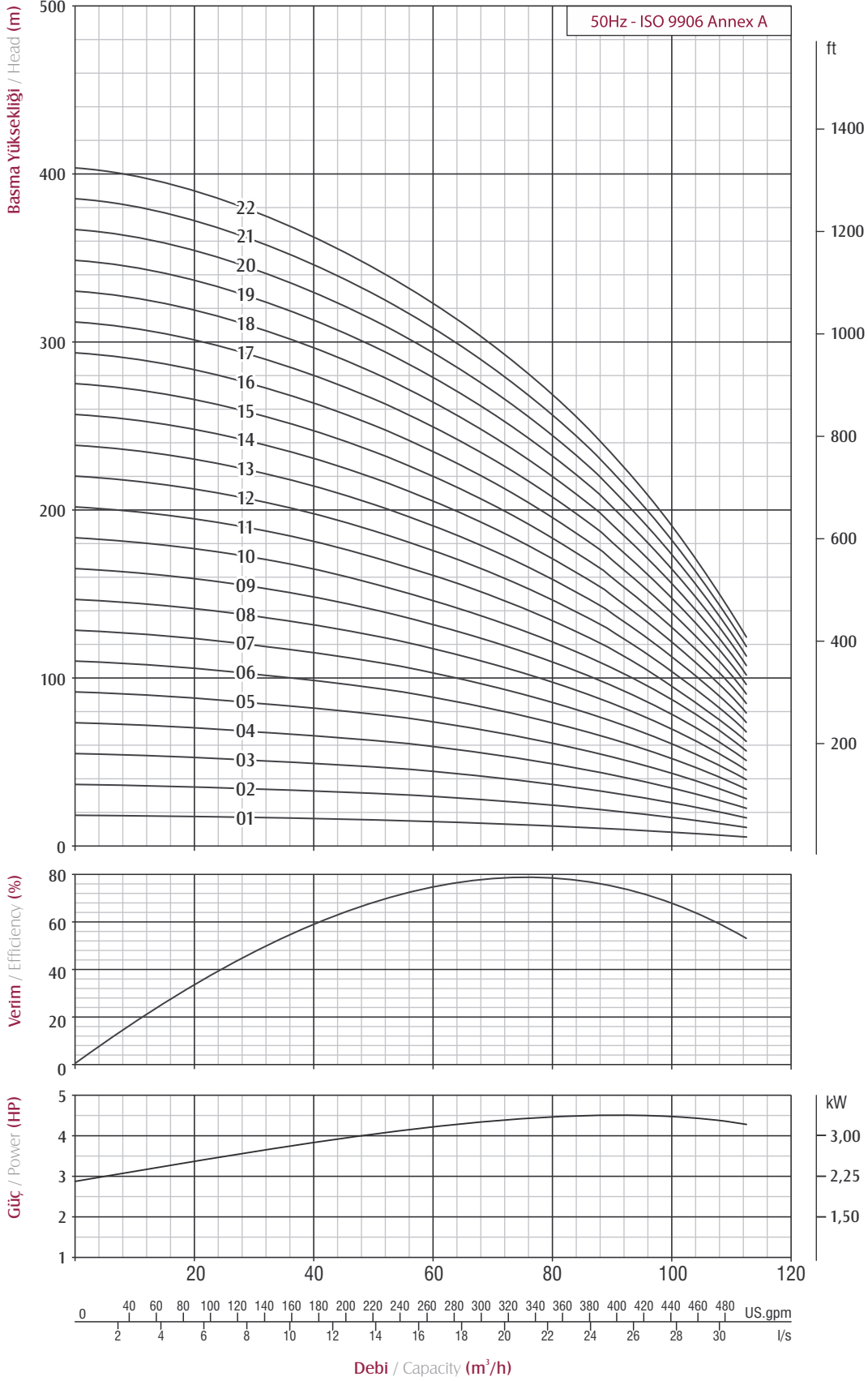
Pompa Tipi Pump Type	Kad. Sayısı Stages	Motor		Ölçüler / Dimensions (mm)					Ağırlık / Weight (kg)		
		kW	Hp	L	LM	LP	ΦM	ΦP	Motor Motor	Pompa Pump	Toplam Total
DMP SS6 60/18	18	37	50	3633/3346/3402	1347/1060/1116	2286	142/172/192	144	110/113/138	52	162/165/190
DMP SS6 60/19	19	37	50	3745/3458/3514	1347/1060/1116	2398	142/172/192	144	110/113/138	55	165/168/193
DMP SS6 60/20	20	37	50	3857/3570/3626	1347/1060/1116	2510	142/172/192	144	110/113/138	58	168/171/196
DMP SS6 60/21	21	37	50	3969/3682/3738	1347/1060/1116	2622	142/172/192	144	110/113/138	60	170/173/198
DMP SS6 60/22	22	45	60	3873/3935	1139/1201	2734	172/192	144	127/152	63	190/215
DMP SS6 60/23	23	45	60	3985/4047	1139/1201	2846	172/192	144	127/152	65	192/217
DMP SS6 60/24	24	45	60	4097/4159	1139/1201	2958	172/192	144	127/152	68	195/220
DMP SS6 60/25	25	52	70	4288/4356	1218/1286	3070	172/192	144	138/170	71	209/241
DMP SS6 60/26	26	52	70	4400/4468	1218/1286	3182	172/192	144	138/170	73	211/243
DMP SS6 60/27	27	52	70	4512/4580	1218/1286	3294	172/192	144	138/170	76	214/246
DMP SS6 60/28	28	52	70	4624/4692	1218/1286	3406	172/192	144	138/170	79	217/249
DMP SS6 60/29	29	55	75	4768/4804	1250/1286	3518	172/192	144	138/170	81	219/251
DMP SS6 60/30	30	55	75	4880/4916	1250/1286	3630	172/192	144	138/170	84	222/254

Performans Tablosu / Performance Table

Pompa Tipi Pump Type	Kad. Sayısı Stages	Motor		Akım Current (A)	m ³ /h l/s	0	30	36	43	51	58	65	72	76
		kW	Hp			0	8,3	10	11,9	14,2	16,1	18,1	20	21,1
DMP SS6 60/18	18	37	50	74,3	Basma Yüksekliği / Head (m)	266	211	198	184	169	155	137	111	90
DMP SS6 60/19	19	37	50	74,3		281	222	209	194	179	164	145	117	95
DMP SS6 60/20	20	37	50	74,3		296	234	220	204	188	173	153	123	100
DMP SS6 60/21	21	37	50	74,3		311	246	231	215	198	181	160	129	105
DMP SS6 60/22	22	45	60	90,4		326	257	242	225	207	190	168	136	110
DMP SS6 60/23	23	45	60	90,4		340	269	253	235	216	199	176	142	115
DMP SS6 60/24	24	45	60	90,4		355	281	264	245	226	207	183	148	120
DMP SS6 60/25	25	52	70	103,3		370	293	275	256	235	216	191	154	125
DMP SS6 60/26	26	52	70	103,3		385	304	285	266	245	225	198	160	130
DMP SS6 60/27	27	52	70	103,3		400	316	296	276	254	233	206	166	135
DMP SS6 60/28	28	52	70	103,3		414	328	307	286	264	242	214	173	140
DMP SS6 60/29	29	55	75	110,5		429	339	318	296	273	250	221	179	145
DMP SS6 60/30	30	55	75	110,5		444	351	329	307	282	259	229	185	150

Ürün Özellikleri / Product Features

Performans Eğrileri / Performance Curves



Pompa performans eğrileri 1 bar atmosfer basıncı altında 15 °C sıcaklığındaki, özgül yoğunluğu 1 gr/cm³ olan su ile elde edilmiştir.
The hydraulic working characteristics have been taken with water at 15 °C, at the atmospheric pressure of 1 bar and specific gravity is 1 gr/cm³

DMP SS7 75

Ölçü Tablosu / Dimensions Table

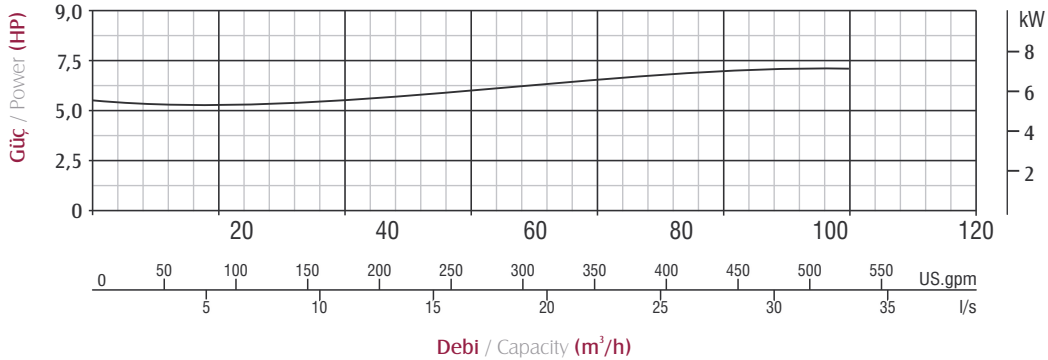
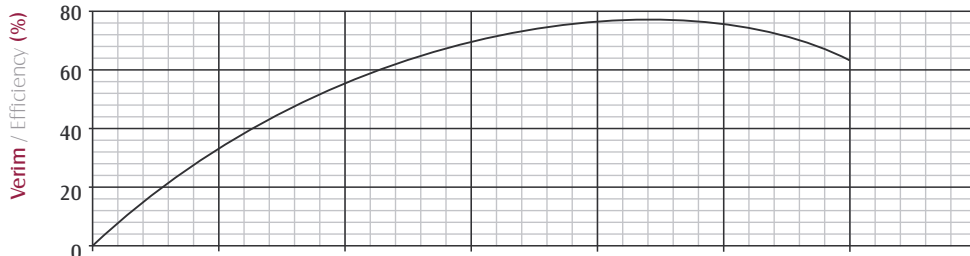
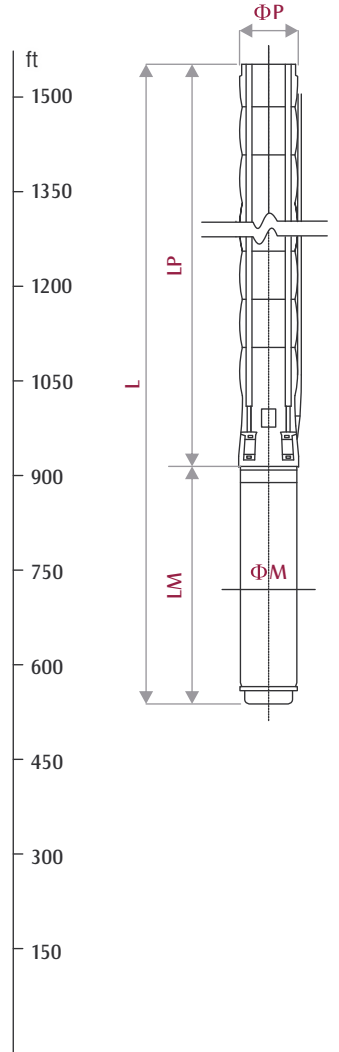
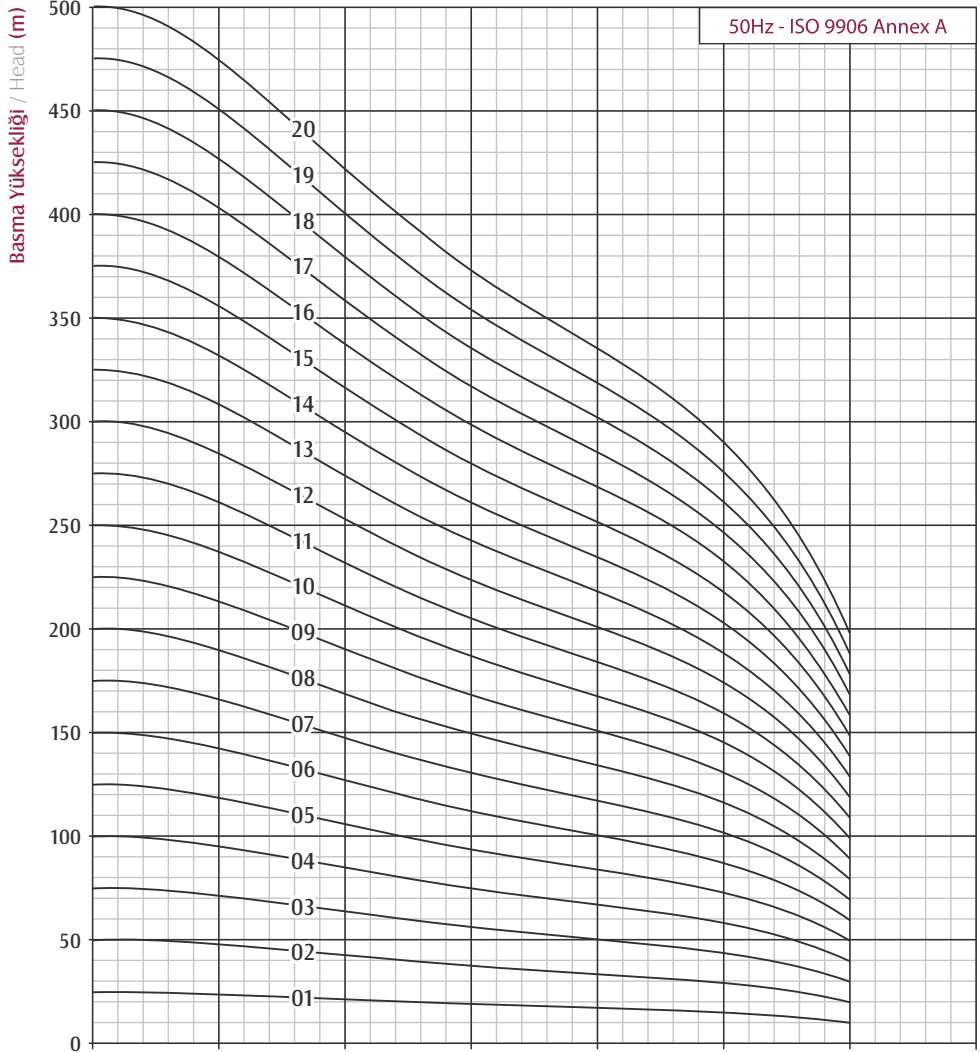
Pompa Tipi Pump Type	Kad. Sayısı Stages	Motor		Ölçüler / Dimensions (mm)					Ağırlık / Weight (kg)		
		kW	Hp	L	LM	LP	ΦM	ΦP	Motor Motor	Pompa Pump	Toplam Total
DMP SS7 75/01	1	4	5,5	1220	649	571	142	172	40	26	66
DMP SS7 75/02	2	7,5	10	1457	758	699	142	172	50	30	80
DMP SS7 75/03	3	11	15	1678	851	827	142	172	60	34	94
DMP SS7 75/04	4	15	20	1928	973	955	142	172	72	38	110
DMP SS7 75/05	5	18,5	25	2089	1006	1083	142	172	76	42	118
DMP SS7 75/06	6	22	30	2317/2101	1106/890	1211	142/172	172	87/86	46	133/132
DMP SS7 75/07	7	26,5	35	2556/2279	1217/940	1339	142/172	172	98/91	50	148/141
DMP SS7 75/08	8	30	40	2714/2447/2523	1247/980/1056	1467	142/172/192	172	103/103/129	54	157/157/183
DMP SS7 75/09	9	37	50	2942/2655/2711	1347/1060/1116	1595	142/172/192	172	110/113/138	58	168/171/196
DMP SS7 75/10	10	37	50	3070/2783/2839	1347/1060/1116	1723	142/172/192	172	110/113/138	62	172/175/200
DMP SS7 75/11	11	45	60	2990/3052	1139/1201	1851	172/192	172	127/152	66	193/218
DMP SS7 75/12	12	45	60	3118/3180	1139/1201	1979	172/192	172	127/152	70	197/222
DMP SS7 75/13	13	52	70	3325/3393	1218/1286	2107	172/192	172	138/170	74	212/244
DMP SS7 75/14	14	52	70	3453/3521	1218/1286	2235	172/192	172	138/170	78	216/248
DMP SS7 75/15	15	55	75	3613/3649	1250/1286	2363	172/192	172	138/170	82	220/252
DMP SS7 75/16	16	60	80	3832	1341	2491	192	172	185	86	271
DMP SS7 75/17	17	67	90	3985	1366	2619	192	172	186	89	275
DMP SS7 75/18	18	67	90	4113	1366	2747	192	172	186	93	279
DMP SS7 75/19	19	67	90	4241	1366	2875	192	172	186	97	283
DMP SS7 75/20	20	75	100	4394	1391	3003	192	172	195	101	296
DMP SS7 75/21	21	75	100	4522	1391	3131	192	172	195	105	300
DMP SS7 75/22	22	81	110	4730/4629	1471/1370	3259	192/231	172	210/256	109	319/365

Performans Tablosu / Performance Table

Pompa Tipi Pump Type	Kad. Sayısı Stages	Motor		Akım Current (A)	m ³ /h l/s	0	57,6	64,8	72	79,2	86,4	96
		kW	Hp			0	16	18	20	22	24	26,7
DMP SS7 75/01	1	4	5,5	10,2	Basma Yüksekliği / Head (m)	19	15	15	14	13	11	9
DMP SS7 75/02	2	7,5	10	17,2		38	31	29	27	25	23	19
DMP SS7 75/03	3	11	15	23,7		58	46	44	41	38	34	28
DMP SS7 75/04	4	15	20	33,1		77	62	58	55	50	45	37
DMP SS7 75/05	5	18,5	25	41,8		96	77	73	68	63	57	47
DMP SS7 75/06	6	22	30	48,5		115	93	88	82	75	68	56
DMP SS7 75/07	7	26,5	35	56,4		135	108	102	96	88	79	66
DMP SS7 75/08	8	30	40	61,7		154	124	117	109	101	91	75
DMP SS7 75/09	9	37	50	74,3		173	139	132	123	113	102	84
DMP SS7 75/10	10	37	50	74,3		192	155	146	137	126	113	94
DMP SS7 75/11	11	45	60	90,4		211	170	161	150	138	125	103
DMP SS7 75/12	12	45	60	90,4		231	186	175	164	151	136	112
DMP SS7 75/13	13	52	70	103,3		250	201	190	178	164	147	122
DMP SS7 75/14	14	52	70	103,3		269	217	205	191	176	159	131
DMP SS7 75/15	15	55	75	110,5		288	232	219	205	189	170	140
DMP SS7 75/16	16	60	80	119,1		307	247	234	219	201	181	150
DMP SS7 75/17	17	67	90	134,6		327	263	249	232	214	193	159
DMP SS7 75/18	18	67	90	134,6		346	278	263	246	226	204	169
DMP SS7 75/19	19	67	90	134,6		365	294	278	260	239	215	178
DMP SS7 75/20	20	75	100	150,7		384	309	292	273	252	227	187
DMP SS7 75/21	21	75	100	150,7		404	325	307	287	264	238	197
DMP SS7 75/22	22	81	110	159		423	340	322	301	277	249	206

Ürün Özellikleri / Product Features

Performans Eğrileri / Performance Curves



Pompa performans eğrileri 1 bar atmosfer basıncı altında 15 °C sıcaklığındaki, özgül yoğunluğu 1 gr/cm³ olan su ile elde edilmiştir.
The hydraulic working characteristics have been taken with water at 15 °C, at the atmospheric pressure of 1 bar and specific gravity is 1 gr/cm³

DMP SS7 95

Ölçü Tablosu / Dimensions Table

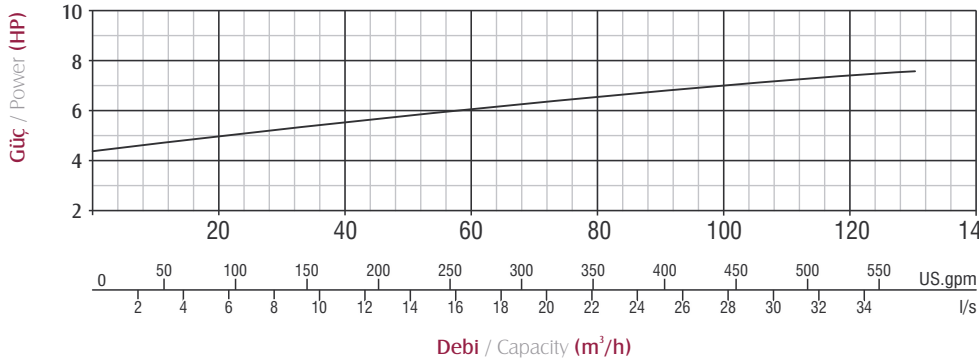
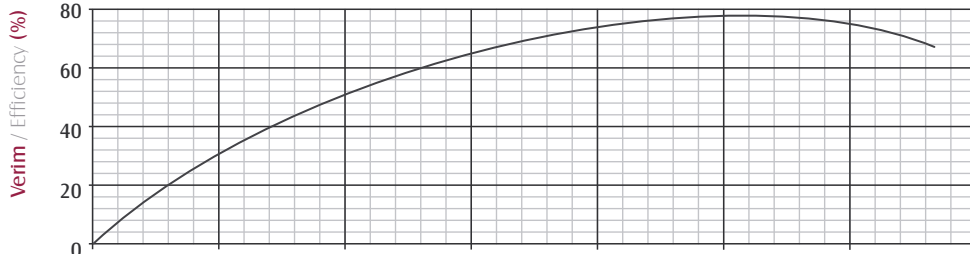
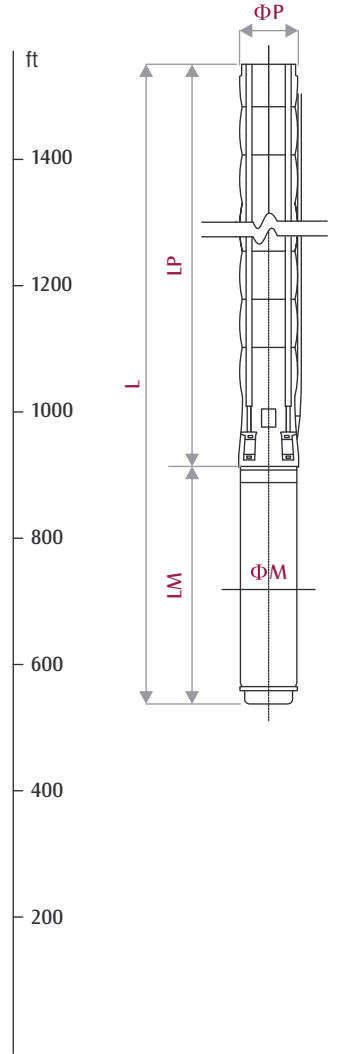
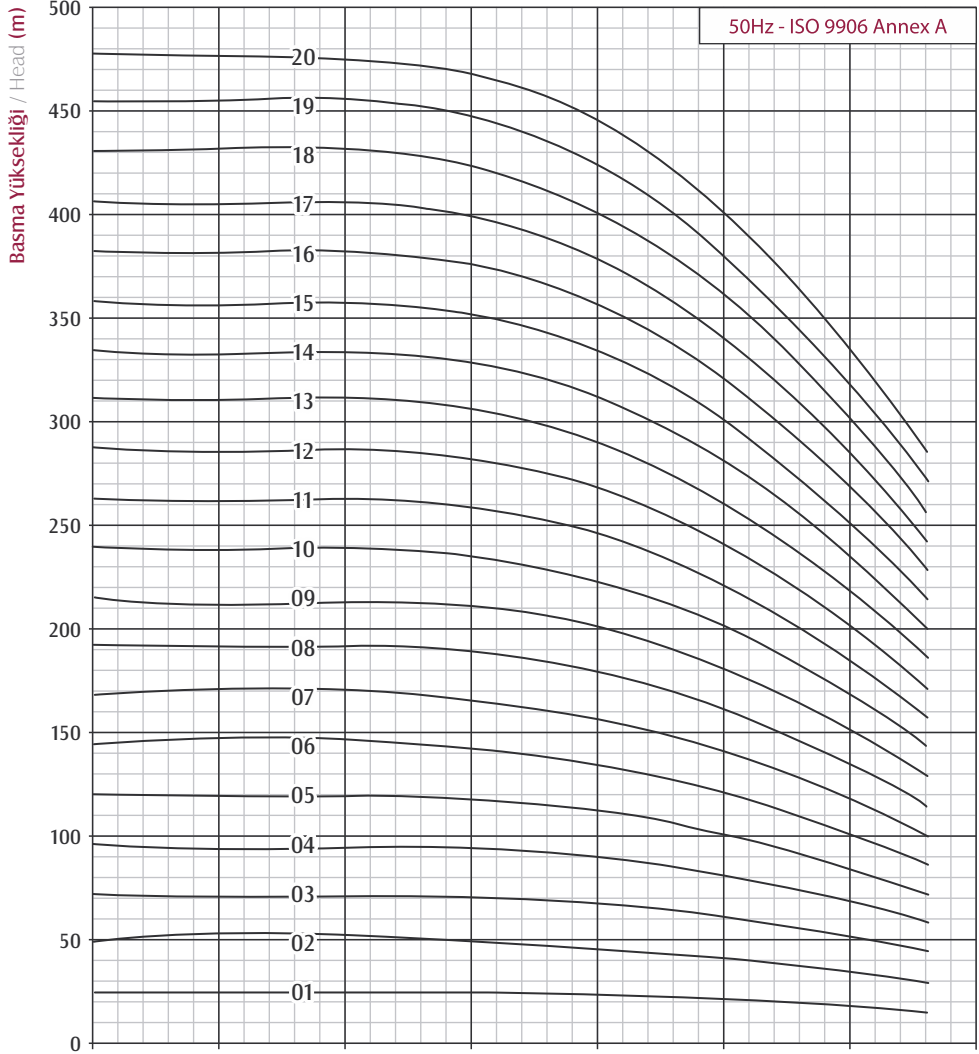
Pompa Tipi Pump Type	Kad. Sayısı Stages	Motor		Ölçüler / Dimensions (mm)					Ağırlık / Weight (kg)		
		kW	Hp	L	LM	LP	ΦM	ΦP	Motor Motor	Pompa Pump	Toplam Total
DMP SS7 95/01	1	5,5	7,5	1249	678	571	142	172	43,5	26	69,5
DMP SS7 95/02	2	11	15	1550	851	699	142	172	60	30	90
DMP SS7 95/03	3	15	20	1800	973	827	142	172	72	34	106
DMP SS7 95/04	4	22	30	2061/1845	1106/890	955	142/172	172	87/86	38	125/124
DMP SS7 95/05	5	30	40	2330/2063/2139	1247/980/1056	1083	142/172/192	172	103/103/129	42	145/145/171
DMP SS7 95/06	6	37	50	2558/2271/2327	1347/1060/1116	1211	142/172/192	172	110/113/138	46	156/159/184
DMP SS7 95/07	7	37	50	2686/2399/2455	1347/1060/1116	1339	142/172/192	172	110/113/138	50	160/163/188
DMP SS7 95/08	8	45	60	2606/2668	1139/1201	1467	172/192	172	127/152	54	181/206
DMP SS7 95/09	9	45	60	2734/2796	1139/1201	1595	172/192	172	127/152	58	185/210
DMP SS7 95/10	10	55	75	2973/3009	1250/1286	1723	172/192	172	138/170	62	200/232
DMP SS7 95/11	11	60	80	3192	1341	1851	192	172	185	66	251
DMP SS7 95/12	12	67	90	3345	1366	1979	192	172	186	70	256
DMP SS7 95/13	13	75	100	3498	1391	2107	192	172	195	74	269
DMP SS7 95/14	14	75	100	3626	1391	2235	192	172	195	78	273
DMP SS7 95/15	15	81	110	3834/3733	1471/1370	2363	192/231	172	210/256	82	292/338
DMP SS7 95/16	16	92	125	4027/3921	1536/1430	2491	192/231	172	212/284	86	298/370
DMP SS7 95/17	17	92	125	4155/4049	1536/1430	2619	192/231	172	212/284	90	302/374
DMP SS7 95/18	18	110	150	4257	1510	2747	231	172	311	94	405
DMP SS7 95/19	19	110	150	4385	1510	2875	231	172	311	98	409
DMP SS7 95/20	20	110	150	4513	1510	3003	231	172	311	102	413

Performans Tablosu / Performance Table

Pompa Tipi Pump Type	Kad. Sayısı Stages	Motor		Akım Current (A)	m ³ /h l/s	0	20	40	60	70	80	90	100	110
		kW	Hp			0	5,6	11,1	16,7	19,4	22,2	25	27,8	30,6
DMP SS7 95/01	1	5,5	7,5	13,3	Basma Yüksekliği / Head (m)	25	24	21	19	18	17	16	15	13
DMP SS7 95/02	2	11	15	23,7		50	47	42	37	35	34	32	29	25
DMP SS7 95/03	3	15	20	33,1		75	71	63	56	53	51	48	44	38
DMP SS7 95/04	4	22	30	48,5		100	95	84	75	71	67	64	58	51
DMP SS7 95/05	5	30	40	61,7		125	119	105	93	89	84	79	73	63
DMP SS7 95/06	6	37	50	74,3		150	142	126	112	106	101	95	88	76
DMP SS7 95/07	7	37	50	74,3		175	166	148	131	124	118	111	102	89
DMP SS7 95/08	8	45	60	90,4		200	190	169	149	142	135	127	117	101
DMP SS7 95/09	9	45	60	90,4		225	214	190	168	159	152	143	131	114
DMP SS7 95/10	10	55	75	110,5		250	237	211	187	177	168	159	146	127
DMP SS7 95/11	11	60	80	119,1		275	261	232	205	195	185	175	161	139
DMP SS7 95/12	12	67	90	134,6		300	285	253	224	213	202	191	175	152
DMP SS7 95/13	13	75	100	150,7		325	309	274	243	230	219	206	190	165
DMP SS7 95/14	14	75	100	150,7		350	332	295	261	248	236	222	204	177
DMP SS7 95/15	15	81	110	159		375	356	316	280	266	253	238	219	190
DMP SS7 95/16	16	92	125	179		400	380	337	299	283	269	254	234	203
DMP SS7 95/17	17	92	125	179		425	404	358	317	301	286	270	248	215
DMP SS7 95/18	18	110	150	216		450	427	379	336	319	303	286	263	228
DMP SS7 95/19	19	110	150	216		475	451	401	355	337	320	302	277	241
DMP SS7 95/20	20	110	150	216		500	475	422	373	354	337	318	292	253

Ürün Özellikleri / Product Features

Performans Eğrileri / Performance Curves



Pompa performans eğrileri 1 bar atmosfer basıncı altında 15 °C sıcaklığındaki, özgül yoğunluğu 1 gr/cm³ olan su ile elde edilmiştir.
The hydraulic working characteristics have been taken with water at 15 °C, at the atmospheric pressure of 1 bar and specific gravity is 1 gr/cm³

DMP SS8 110

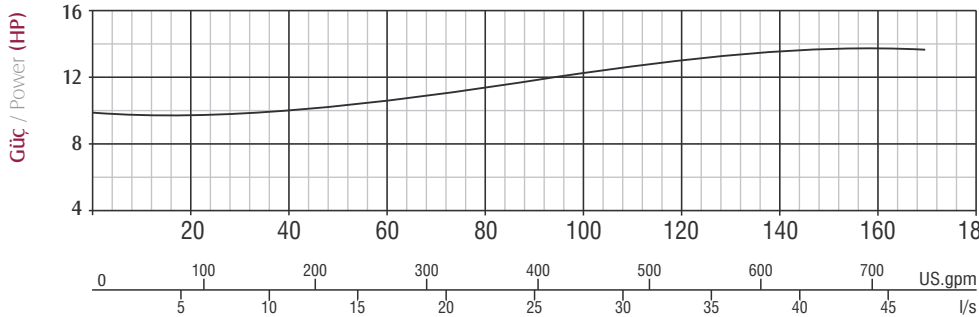
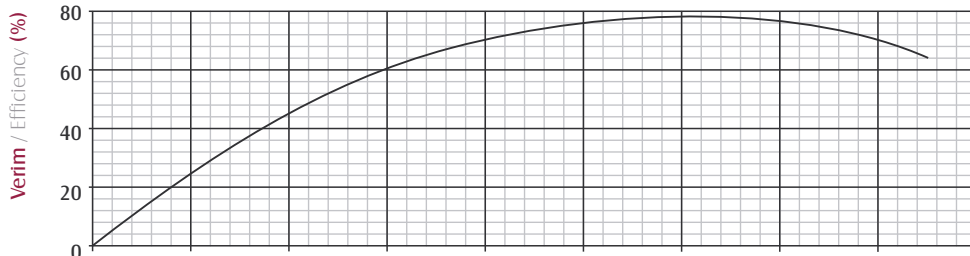
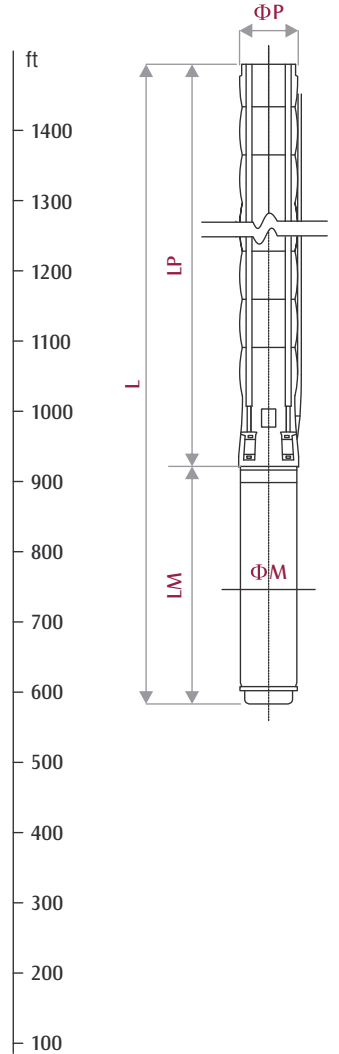
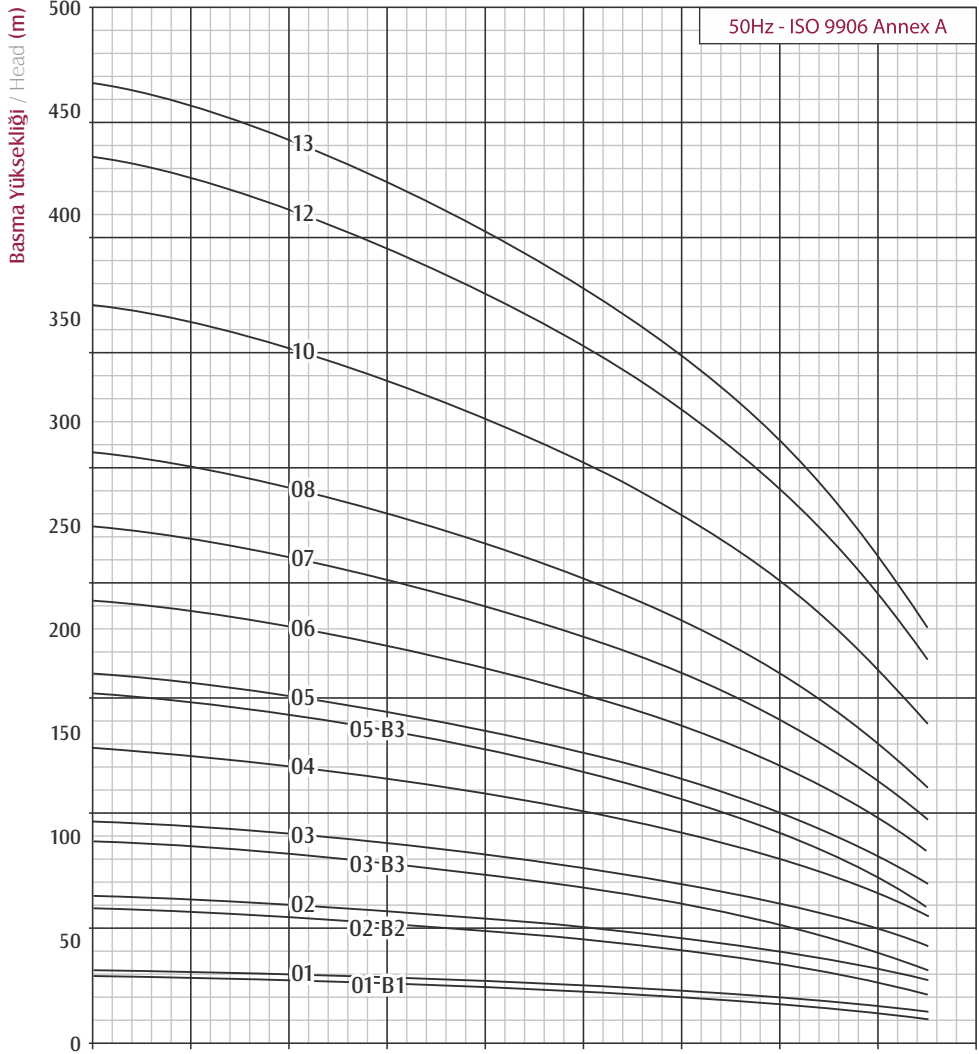
Ölçü Tablosu / Dimensions Table

Pompa Tipi Pump Type	Kad. Sayısı Stages	Motor		Ölçüler / Dimensions (mm)					Ağırlık / Weight (kg)		
		kW	Hp	L	LM	LP	ΦM	ΦP	Motor Motor	Pompa Pump	Toplam Total
DMP SS8 110/01	1	7,5	10	1444	758	686	142	213	50	32	82
DMP SS8 110/02	2	15	20	1815	973	842	142	213	72	38	110
DMP SS8 110/03	3	22	30	2103/1887	1106/890	997	142/172	213	87/86	45	132/131
DMP SS8 110/04	4	30	40	2400/2133/2209	1247/980/1056	1153	142/172/192	213	103/103/129	51	154/154/180
DMP SS8 110/05	5	37	50	2656/2369/2425	1347/1060/1116	1309	142/172/192	213	110/113/138	57	167/170/195
DMP SS8 110/06	6	45	60	2604/2666	1139/1201	1465	172/192	213	127/152	64	191/216
DMP SS8 110/07	7	52	70	2838/2906	1218/1286	1620	172/192	213	138/170	70	208/240
DMP SS8 110/08	8	60	80	3117	1341	1776	192	213	185	76	261
DMP SS8 110/09	9	67	90	3298	1366	1932	192	213	186	83	269
DMP SS8 110/10	10	75	100	3478	1391	2087	192	213	195	89	284
DMP SS8 110/11	11	81	110	3714/3613	1471/1370	2243	192/231	213	210/256	95	305/351
DMP SS8 110/12	12	92	125	3935/3829	1536/1430	2399	192/231	213	212/284	101	313/385
DMP SS8 110/13	13	92	125	4090/3984	1536/1430	2554	192/231	213	212/284	108	320/392
DMP SS8 110/14	14	110	150	4220	1510	2710	231	213	311	114	425
DMP SS8 110/15	15	110	150	4376	1510	2866	231	213	311	120	431
DMP SS8 110/16	16	129	175	4632	1610	3022	231	213	338	127	465
DMP SS8 110/17	17	129	175	4787	1610	3177	231	213	338	133	471
DMP SS8 110/18	18	129	175	4943	1610	3333	231	213	338	139	477
DMP SS8 110/19	19	147	200	5229	1740	3489	231	213	370	145	515
DMP SS8 110/20	20	147	200	5384	1740	3644	231	213	370	152	522

Performans Tablosu / Performance Table

Pompa Tipi Pump Type	Kad. Sayısı Stages	Motor		Akım Current (A)	m ³ /h l/s	0	70	80	90	100	110	120	130
		kW	Hp			0	19,4	22,2	25	27,8	30,6	33,3	36,1
DMP SS8 110/01	1	7,5	10	17,2	Basma Yüksekliği / Head (m)	27	23	22	21	20	18	16	14
DMP SS8 110/02	2	15	20	33,1		55	45	43	42	39	36	33	28
DMP SS8 110/03	3	22	30	48,5		82	68	65	63	59	55	49	43
DMP SS8 110/04	4	30	40	61,7		110	90	87	83	79	73	66	57
DMP SS8 110/05	5	37	50	74,3		137	113	109	104	98	91	82	71
DMP SS8 110/06	6	45	60	90,4		165	135	130	125	118	109	99	85
DMP SS8 110/07	7	52	70	103,3		192	158	152	146	138	128	115	99
DMP SS8 110/08	8	60	80	119,1		220	180	174	167	158	146	131	114
DMP SS8 110/09	9	67	90	134,6		247	203	196	188	177	164	148	128
DMP SS8 110/10	10	75	100	150,7		274	225	217	208	197	182	164	142
DMP SS8 110/11	11	81	110	159		302	248	239	229	217	200	181	156
DMP SS8 110/12	12	92	125	179		329	270	261	250	236	219	197	170
DMP SS8 110/13	13	92	125	179		357	293	283	271	256	237	214	185
DMP SS8 110/14	14	110	150	216		384	315	304	292	276	255	230	199
DMP SS8 110/15	15	110	150	216		412	338	326	313	295	273	247	213
DMP SS8 110/16	16	129	175	248		439	360	348	333	315	292	263	227
DMP SS8 110/17	17	129	175	248		466	383	370	354	335	310	279	241
DMP SS8 110/18	18	129	175	248		494	405	391	375	354	328	296	256
DMP SS8 110/19	19	147	200	282		521	428	413	396	374	346	312	270
DMP SS8 110/20	20	147	200	282		549	450	435	417	394	364	329	284

Performans Eğrileri / Performance Curves



Debi / Capacity (m³/h)

Pompa performans eğrileri 1 bar atmosfer basıncı altında 15 °C sıcaklığındaki, özgül yoğunluğu 1 gr/cm³ olan su ile elde edilmiştir.
The hydraulic working characteristics have been taken with water at 15 °C, at the atmospheric pressure of 1 bar and specific gravity is 1 gr/cm³

DMP SS8 125

Ölçü Tablosu / Dimensions Table

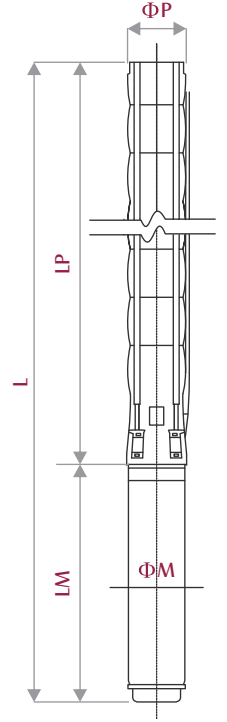
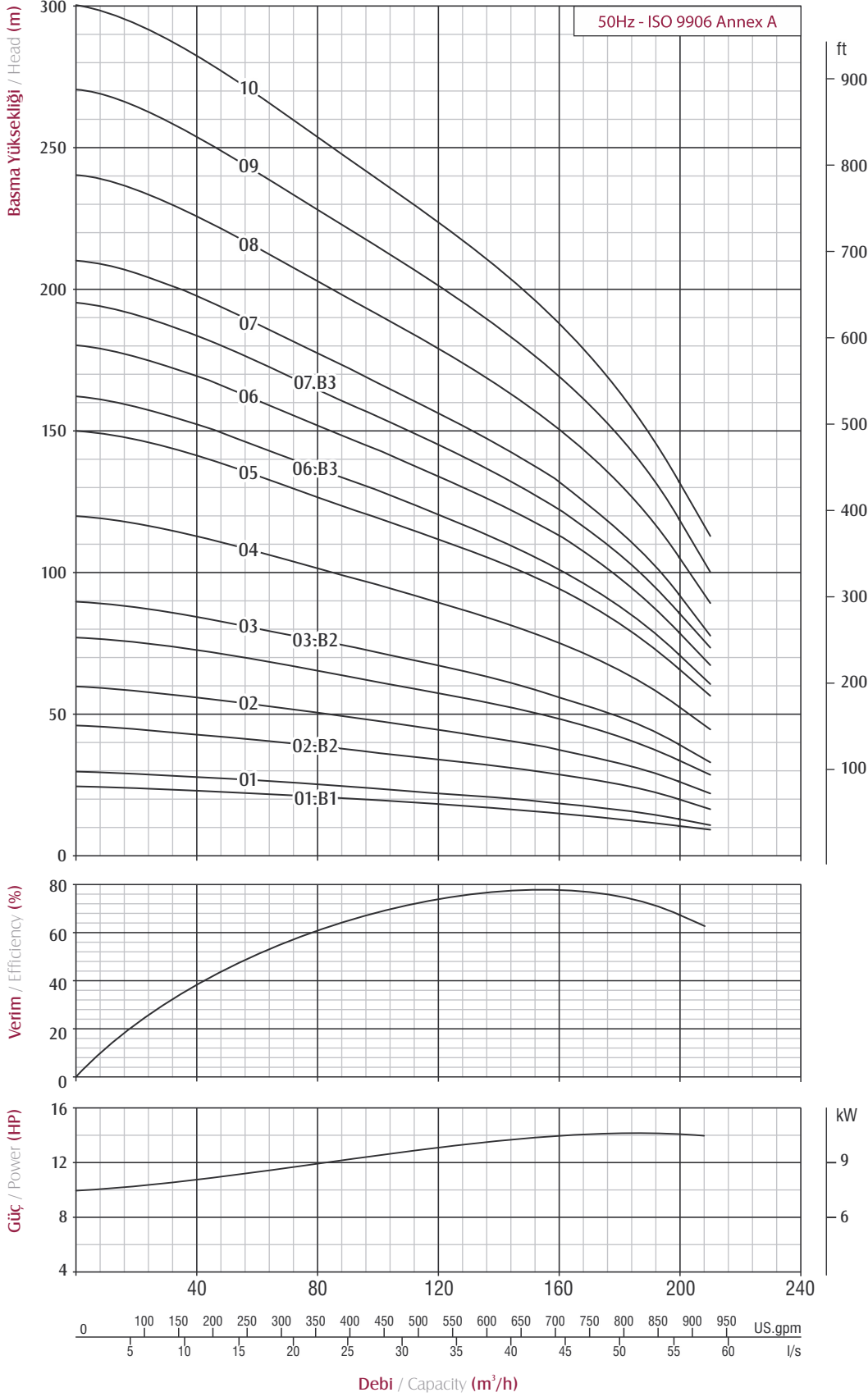
Pompa Tipi Pump Type	Kad. Sayısı Stages	Motor		Ölçüler / Dimensions (mm)					Ağırlık / Weight (kg)		
		kW	Hp	L	LM	LP	ΦM	ΦP	Motor Motor	Pompa Pump	Toplam Total
DMP SS8 125/01.B1	1	9,3	12,5	1486	800	686	142	213	55	32	87
DMP SS8 125/01	1	11	15	1537	851	686	142	213	60	32	92
DMP SS8 125/02.B2	2	18,5	25	1848	1006	842	142	213	76	39	115
DMP SS8 125/02	2	22	30	1948/1732	1106/890	842	142/172	213	87/86	39	126/125
DMP SS8 125/03.B3	3	30	40	2244/1977/2053	1247/980/1056	997	142/172/192	213	103/103/129	45	148/148/174
DMP SS8 125/03	3	37	50	2344/2057/2113	1347/1060/1116	997	142/172/192	213	110/113/138	45	155/158/183
DMP SS8 125/04	4	45	60	2292/2354	1139/1201	1153	172/192	213	127/152	52	179/204
DMP SS8 125/05.B3	5	52	70	2527/2595	1218/1286	1309	172/192	213	138/170	58	196/228
DMP SS8 125/05	5	55	75	2559/2595	1250/1286	1309	172/192	213	138/170	58	196/228
DMP SS8 125/06	6	67	90	2831	1366	1465	192	213	186	65	251
DMP SS8 125/07	7	75	100	3011	1391	1620	192	213	195	71	266
DMP SS8 125/08	8	92	125	3312/3206	1536/1430	1776	192/231	213	212/284	78	290/362
DMP SS8 125/10	10	110	150	3597	1510	2087	231	213	311	91	402
DMP SS8 125/12	12	129	175	4009	1610	2399	231	213	338	104	442
DMP SS8 125/13	13	147	200	4294	1740	2554	231	213	370	110	480

Performans Tablosu / Performance Table

Pompa Tipi Pump Type	Kad. Sayısı Stages	Motor		Akım Current (A)	m ³ /h l/s	0	40	90	120	130	140	150	160	170
		kW	Hp			0	11,1	25	33,3	36,1	38,9	41,7	44,4	47,2
DMP SS8 125/01.B1	1	9,3	12,5	20,8	Basma Yüksekliği / Head (m)	29	27	24	20	19	17	15	13	11
DMP SS8 125/01	1	11	15	23,7		32	30	26	23	22	20	18	16	14
DMP SS8 125/02.B2	2	18,5	25	41,8		59	55	47	40	38	34	31	26	21
DMP SS8 125/02	2	22	30	48,5		64	60	52	46	43	40	37	33	28
DMP SS8 125/03.B3	3	30	40	61,7		88	82	71	61	57	52	46	39	32
DMP SS8 125/03	3	37	50	74,3		96	91	79	69	65	60	55	49	42
DMP SS8 125/04	4	45	60	90,4		128	121	105	92	86	80	73	65	56
DMP SS8 125/05.B3	5	52	70	103,3		152	143	123	107	100	92	83	72	60
DMP SS8 125/05	5	55	75	110,5		160	151	131	115	108	100	92	81	70
DMP SS8 125/06	6	67	90	134,6		192	181	157	138	130	120	110	98	83
DMP SS8 125/07	7	75	100	150,7		225	211	183	161	151	140	128	114	97
DMP SS8 125/08	8	92	125	179		257	241	210	184	173	161	146	130	111
DMP SS8 125/10	10	110	150	216		321	302	262	230	216	201	183	163	139
DMP SS8 125/12	12	129	175	248		385	362	315	275	259	241	220	195	167
DMP SS8 125/13	13	147	200	282	417	392	341	298	281	261	238	211	181	

Ürün Özellikleri / Product Features

Performans Eğrileri / Performance Curves



DMP SS8 160

Ölçü Tablosu / Dimensions Table

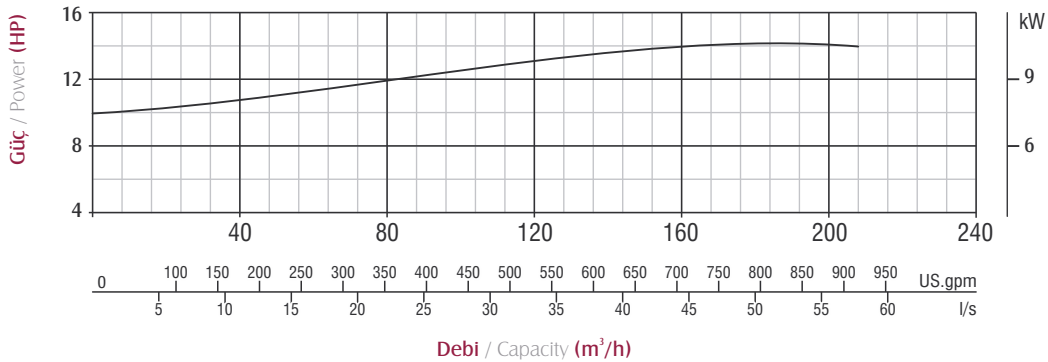
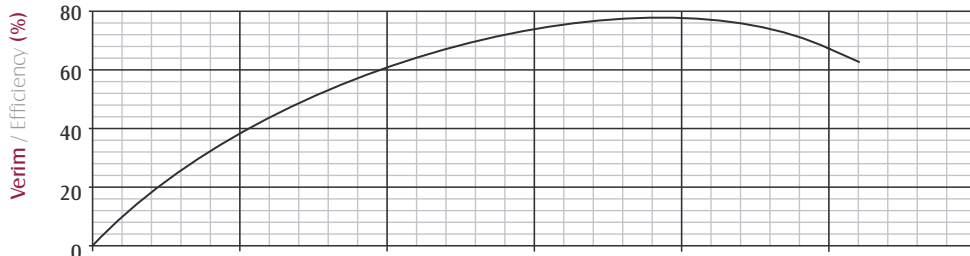
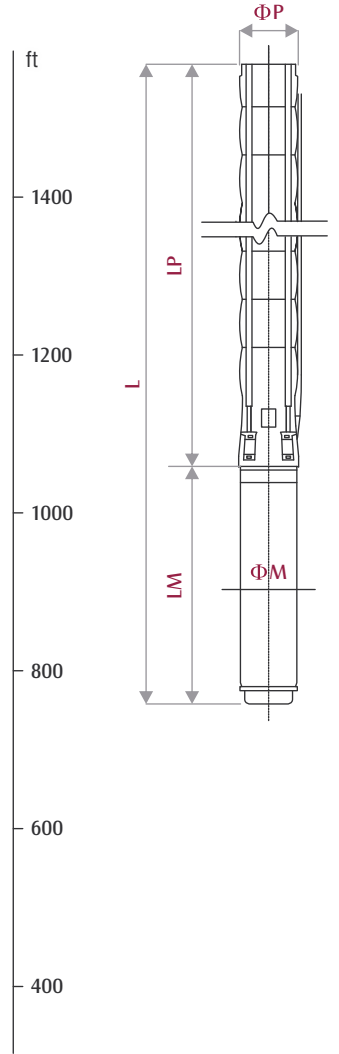
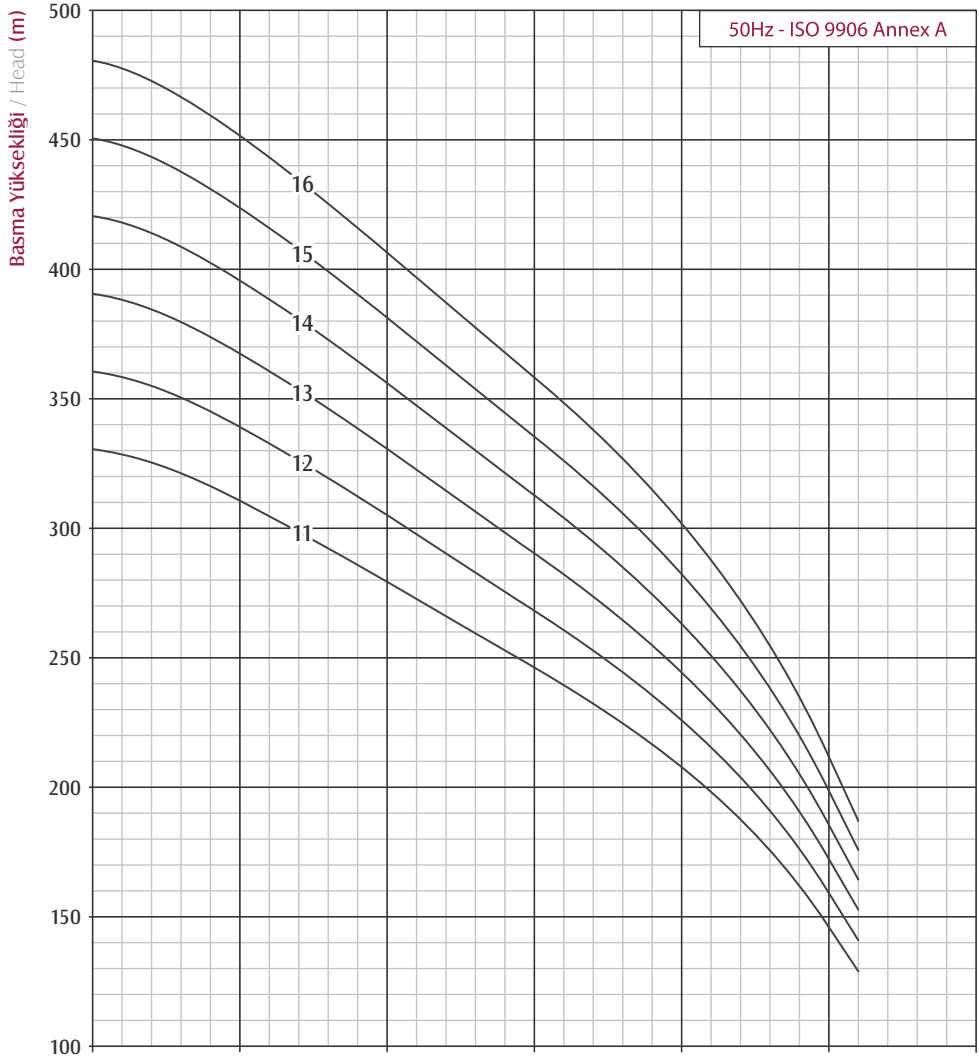
Pompa Tipi Pump Type	Kad. Sayısı Stages	Motor		Ölçüler / Dimensions (mm)					Ağırlık / Weight (kg)		
		kW	Hp	L	LM	LP	ΦM	ΦP	Motor Motor	Pompa Pump	Toplam Total
DMP SS8 160/01.B1	1	9,3	12,5	1486	800	686	142	226	55	34	87
DMP SS8 160/01	1	11	15	1537	851	686	142	226	60	34	92
DMP SS8 160/02.B2	2	18,5	25	1848	1006	842	142	226	76	40	115
DMP SS8 160/02	2	22	30	1948/1732	1106/890	842	142/172	226	87/86	40	126/125
DMP SS8 160/03.B2	3	30	40	2244/1977/2053	1247/980/1056	997	142/172/192	226	103/103/129	47	148/148/174
DMP SS8 160/03	3	37	50	2344/2057/2113	1347/1060/1116	997	142/172/192	226	110/113/138	47	155/158/183
DMP SS8 160/04	4	45	60	2292/2354	1139/1201	1153	172/192	226	127/152	53	179/204
DMP SS8 160/05	5	55	75	2559/2595	1250/1286	1309	172/192	226	138/170	60	196/228
DMP SS8 160/06.B3	6	60	80	2806	1341	1465	192	226	185	66	196/228
DMP SS8 160/06	6	67	90	2831	1366	1465	192	226	186	66	251
DMP SS8 160/07.B3	7	75	100	3011	1391	1620	192	226	195	73	266
DMP SS8 160/07	7	81	110	3091/2990	1471/1370	1620	192/231	226	210/256	73	290/362
DMP SS8 160/08	8	92	125	3312/3206	1536/1430	1776	192/231	226	212/284	79	402
DMP SS8 160/09	9	110	150	3442	1510	1932	231	226	311	86	442
DMP SS8 160/10	10	110	150	3597	1510	2087	231	226	311	92	480

Performans Tablosu / Performance Table

Pompa Tipi Pump Type	Kad. Sayısı Stages	Motor		Akım Current (A)	m ³ /h l/s	0	80	100	120	140	160	180	200	
		kW	Hp			0	22,2	27,8	33,3	38,9	44,4	50	55,6	
DMP SS8 160/01.B1	1	9,3	12,5	20,8	Basma Yüksekliği / Head (m)	25	21	20	19	17	16	14	11	
DMP SS8 160/01	1	11	15	23,7		30	25	24	22	21	19	16	13	13
DMP SS8 160/02.B2	2	18,5	25	41,8		46	39	37	34	32	29	25	20	20
DMP SS8 160/02	2	22	30	48,5		60	51	48	45	41	38	33	26	26
DMP SS8 160/03.B2	3	30	40	61,7		77	65	61	58	53	49	42	34	34
DMP SS8 160/03	3	37	50	74,3		90	76	72	67	62	57	49	40	40
DMP SS8 160/04	4	45	60	90,4		120	101	96	89	83	75	66	53	53
DMP SS8 160/05	5	55	75	110,5		150	127	119	112	104	94	82	66	66
DMP SS8 160/06.B3	6	60	80	119,1		162	137	129	121	112	102	89	71	71
DMP SS8 160/06	6	67	90	134,6		180	152	143	134	124	113	99	79	79
DMP SS8 160/07.B3	7	75	100	150,7		195	165	155	145	135	123	107	86	86
DMP SS8 160/07	7	81	110	159		210	178	167	157	145	132	115	92	92
DMP SS8 160/08	8	92	125	179		240	203	191	179	166	151	132	106	106
DMP SS8 160/09	9	110	150	216		270	228	215	201	187	170	148	119	119
DMP SS8 160/10	10	110	150	216	300	254	239	224	207	189	165	132	132	

Ürün Özellikleri / Product Features

Performans Eğrileri / Performance Curves



DMP SS8 160

Ölçü Tablosu / Dimensions Table

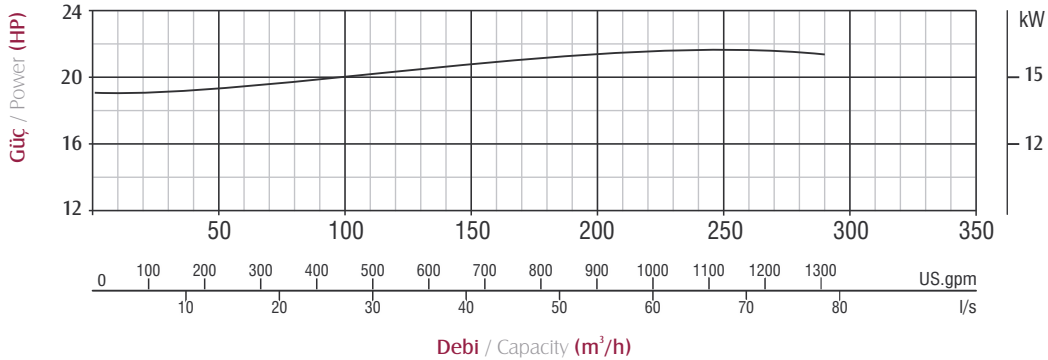
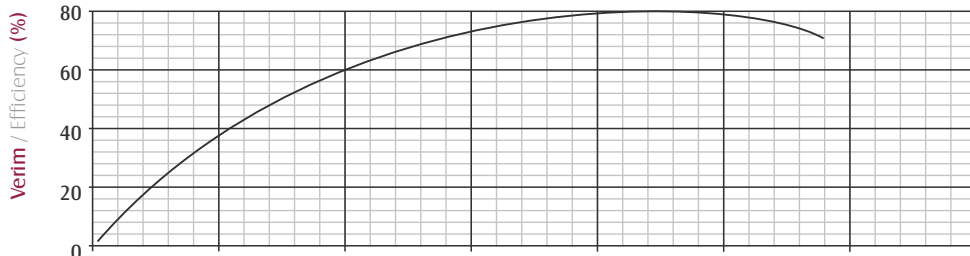
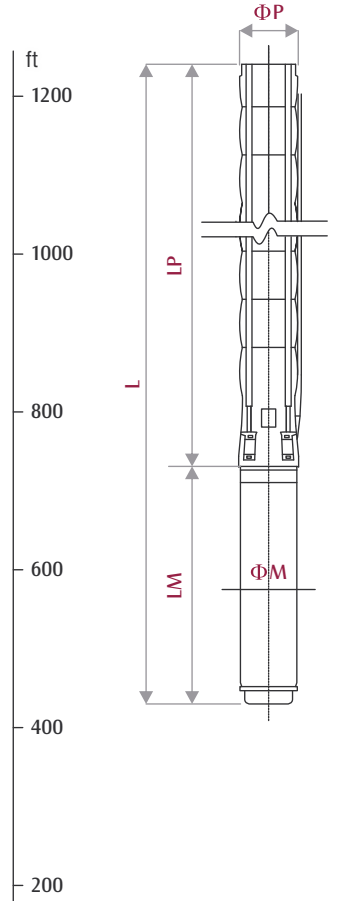
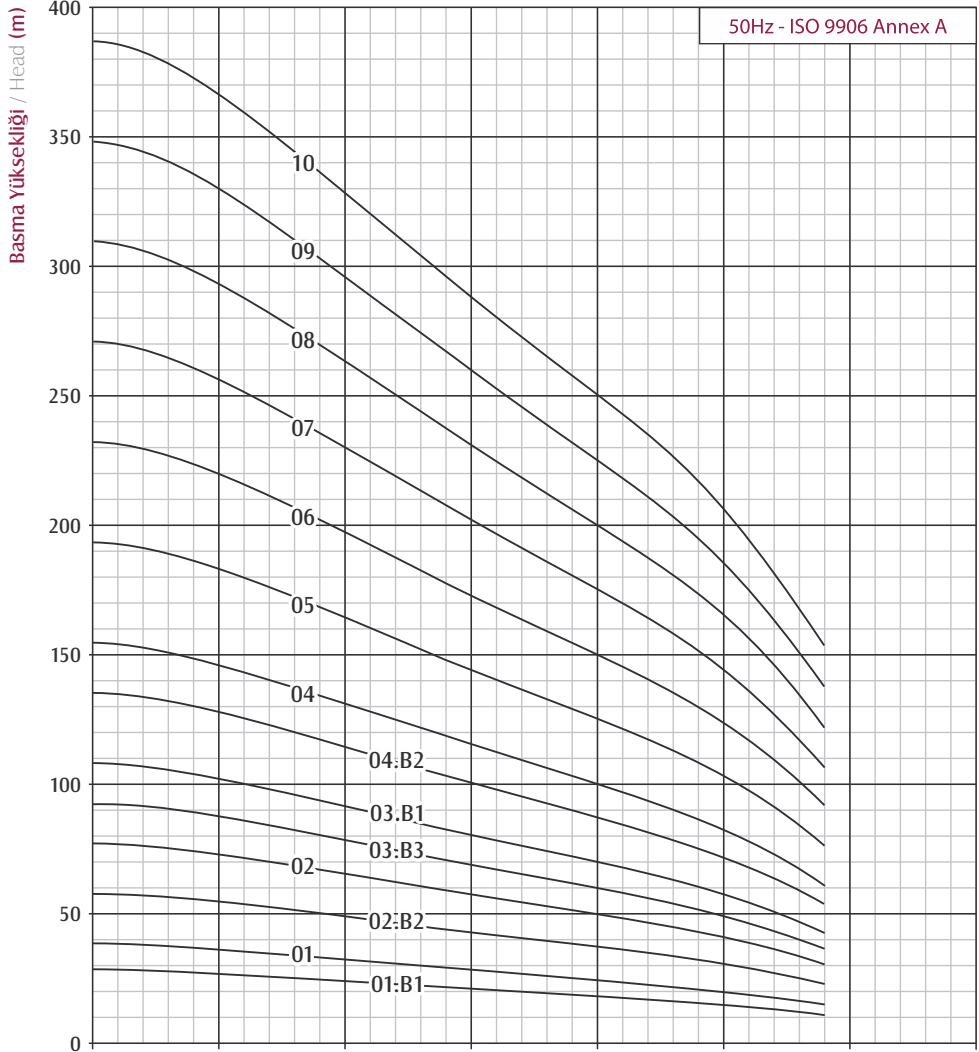
Pompa Tipi Pump Type	Kad. Sayısı Stages	Motor		Ölçüler / Dimensions (mm)					Ağırlık / Weight (kg)		
		kW	Hp	L	LM	LP	ΦM	ΦP	Motor Motor	Pompa Pump	Toplam Total
DMP SS8 160/11	11	129	175	3853	1610	2243	231	226	338	99	437
DMP SS8 160/12	12	147	200	4139	1740	2399	231	226	370	105	475
DMP SS8 160/13	13	147	200	4294	1740	2554	231	226	370	112	482
DMP SS8 160/14	14	166	225	4530	1820	2710	231	226	400	118	518
DMP SS8 160/15	15	185	250	4686	1820	2866	231	226	405	124	529
DMP SS8 160/16	16	185	250	4842	1820	3022	231	226	405	131	536

Performans Tablosu / Performance Table

Pompa Tipi Pump Type	Kad. Sayısı Stages	Motor		Akım Current (A)	m ³ /h l/s	0	80	100	120	140	160	180	200
		kW	Hp			0	22,2	27,8	33,3	38,9	44,4	50	55,6
DMP SS8 160/11	11	129	175	248	Basma Yüksekliği / Head (m)	330	279	263	246	228	207	181	145
DMP SS8 160/12	12	147	200	282		360	304	287	268	249	226	197	158
DMP SS8 160/13	13	147	200	282		391	330	310	291	270	245	214	172
DMP SS8 160/14	14	166	225	322		421	355	334	313	290	264	230	185
DMP SS8 160/15	15	185	250	359		451	381	358	335	311	283	247	198
DMP SS8 160/16	16	185	250	359		481	406	382	358	332	302	263	211

Ürün Özellikleri / Product Features

Performans Eğrileri / Performance Curves



Pompa performans eğrileri 1 bar atmosfer basıncı altında 15 °C sıcaklığındaki, özgül yoğunluğu 1 gr/cm³ olan su ile elde edilmiştir.
The hydraulic working characteristics have been taken with water at 15 °C, at the atmospheric pressure of 1 bar and specific gravity is 1 gr/cm³

DMP SS10 210

Ölçü Tablosu / Dimensions Table

Pompa Tipi Pump Type	Kad. Sayısı Stages	Motor		Ölçüler / Dimensions (mm)					Ağırlık / Weight (kg)		
		kW	Hp	L	LM	LP	ΦM	ΦP	Motor Motor	Pompa Pump	Toplam Total
DMP SS10 210/01.B1	1	15	20	1767	973	794	142	247	72	44	116
DMP SS10 210/01	1	18,5	25	1800	1006	794	142	247	76	44	120
DMP SS10 210/02.B2	2	30	40	2217/1950/2026	1247/980/1056	970	142/172/192	247	103/103/129	55	158/158/184
DMP SS10 210/02	2	37	50	2317/2030/2086	1347/1060/1116	970	142/172/192	247	110/113/138	55	165/168/193
DMP SS10 210/03.B3	3	45	60	2286/2348	1139/1201	1147	172/192	247	127/152	66	193/218
DMP SS10 210/03.B1	3	55	75	2397/2433	1250/1286	1147	172/192	247	138/170	66	204/236
DMP SS10 210/04.B2	4	67	90	2689	1366	1323	192	247	186	76	262
DMP SS10 210/04	4	75	100	2714	1391	1323	192	247	195	76	271
DMP SS10 210/05	5	92	125	3035/2929	1536/1430	1499	192/231	247	212/284	87	299/371
DMP SS10 210/06	6	110	150	3185	1510	1675	231	247	311	98	409
DMP SS10 210/07	7	129	175	3461	1610	1851	231	247	338	109	447
DMP SS10 210/08	8	150	200	3768	1740	2028	231	247	370	119	489
DMP SS10 210/09	9	166	225	4024	1820	2204	231	247	400	130	530
DMP SS10 210/10	10	185	250	4200	1820	2380	231	247	405	141	546

Performans Tablosu / Performance Table

Pompa Tipi Pump Type	Kad. Sayısı Stages	Motor		Akım Current (A)	m ³ /h l/s	0	100	140	180	200	220	240	260	280
		kW	Hp			0	27,78	38,89	50	55,56	61,11	66,67	72,22	80,56
DMP SS10 210/01.B1	1	15	20	33,1	Basma Yüksekliği / Head (m)	29	25	22	20	19	18	16	15	11
DMP SS10 210/01	1	18,5	25	41,8		39	33	30	27	25	23	22	19	15
DMP SS10 210/02.B2	2	30	40	61,7		58	49	44	40	38	35	32	29	23
DMP SS10 210/02	2	37	50	74,3		77	66	59	53	50	47	43	39	31
DMP SS10 210/03.B3	3	45	60	90,4		93	79	71	64	60	56	52	47	37
DMP SS10 210/03.B1	3	55	75	110,5		108	92	83	74	70	66	61	55	43
DMP SS10 210/04.B2	4	67	90	134,6		136	115	104	93	88	82	76	68	54
DMP SS10 210/04	4	75	100	150,7		155	131	119	106	100	94	87	78	61
DMP SS10 210/05	5	92	125	179		194	164	148	133	125	117	108	97	76
DMP SS10 210/06	6	110	150	216		232	197	178	160	150	141	130	117	92
DMP SS10 210/07	7	129	175	248		271	230	208	186	175	164	151	136	107
DMP SS10 210/08	8	150	200	282		310	263	237	213	201	188	173	156	122
DMP SS10 210/09	9	166	225	322		349	296	267	239	226	211	195	175	138
DMP SS10 210/10	10	185	250	359		387	329	297	266	251	235	216	195	153

Ürün Özellikleri / Product Features

Direkt (DOL)

HP	Kablo Ölçüleri / Cable Sizes										
	3x1,5	3x2,5	3x4	3x6	3x10	3x16	3x25	3x35	3x50	3x70	3x95
5,5	65	108	172	258	431	689	1.077	1.507	2.153	3.014	4.091
7,5	48	80	129	193	322	515	805	1.127	1.610	2.254	3.059
10	38	64	102	153	256	409	639	894	1.278	1.789	2.428
12,5		52	83	125	209	334	522	730	1.043	1.461	1.982
15		45	72	109	181	289	452	633	904	1.266	1.718
17,5			61	92	153	245	383	536	765	1.071	1.454
20			52	79	131	210	327	458	655	917	1.244
25					106	170	266	372	531	744	1.009
30					90	145	226	316	452	633	859
35					76	122	190	266	380	532	722
40					67	107	168	235	336	470	638
50						89	139	195	279	390	529
60							115	160	229	321	434
70								139	198	278	377
75								131	187	262	356
80								120	172	241	326
90									154	215	292
100									132	192	261
110									127	178	242
125										157	213
150											182
175											155

Yıldız - Üçgen (Wye - Delta)

HP	Kablo Ölçüleri / Cable Sizes										
	3x1,5	3x2,5	3x4	3x6	3x10	3x16	3x25	3x35	3x50	3x70	3x95
5,5	97	161	258	388	646	1.033	1.615	2.261	3.230	4.521	6.136
7,5	72	121	193	290	483	773	1.207	1.690	2.415	3.381	4.588
10	57	96	153	230	383	613	958	1.342	1.916	2.683	3.641
12,5	47	78	125	188	313	501	783	1.096	1.565	2.191	2.974
15	41	68	109	163	271	434	678	949	1.356	1.899	2.577
17,5	34	57	92	138	230	367	574	803	1.148	1.607	2.181
20	29	49	79	118	196	314	491	688	982	1.375	1.867
25		40	64	96	159	255	398	558	797	1.115	1.514
30			54	81	136	217	339	475	678	949	1.288
35			46	68	114	182	285	399	570	798	1.083
40				60	101	161	252	352	503	705	956
50					84	134	209	293	418	585	794
60					69	110	172	241	344	481	653
70					59	95	149	208	297	416	565
75						90	141	197	281	394	534
80							82	129	180	258	361
90							74	115	162	231	323
100								103	144	206	289
110								95	134	191	267
125									118	168	235
150									101	144	201
175										123	172
200											152
210											196





DUYAR MOTOR POMPA DAH. TİC. İTH. İHR. İML. LTD. ŞTİ.
1490 Sok. No.2/E-F Ege Ticaret Mrk. Yenişehir/İZMİR
T. +90 232 449 16 46 • F. +90 232 433 25 82
info@duyarmotor.com • satis@duyarmotor.com
www.duyarpump.com

