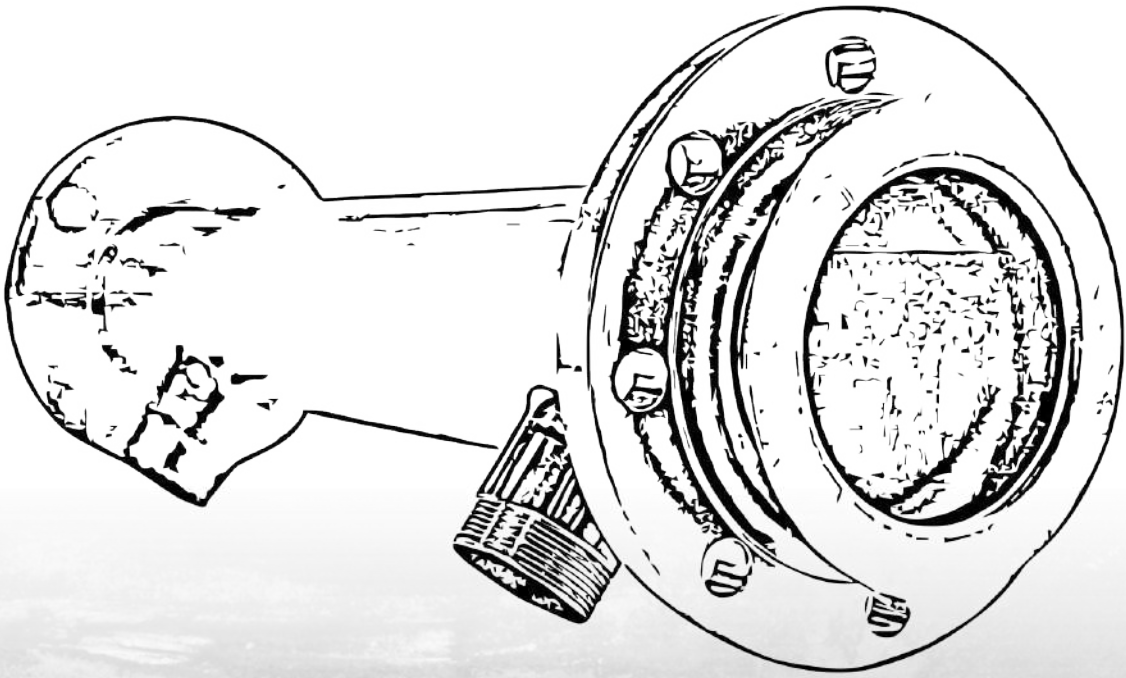




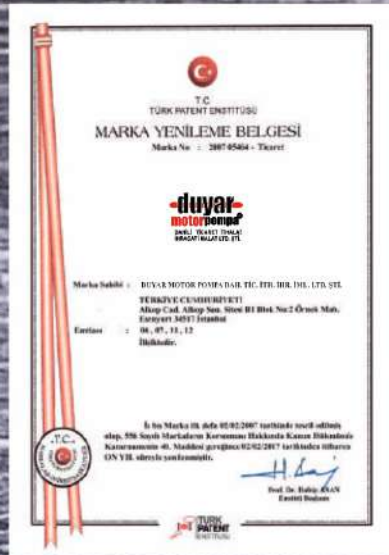
# duyar

## motorpompa®



DUYAR MOTOR POMPA DAHİLİ TİC. İTH. İHR. İML. LTD. ŞTİ.

[www.dupumps.com](http://www.dupumps.com) / [www.duyarpump.com](http://www.duyarpump.com)  
[info@duyarmotor.com](mailto:info@duyarmotor.com) / [info@duyarpump.com](mailto:info@duyarpump.com)



# STAINLESS STEEL MANIFOLDS



## TECHNICAL FEATURES

### ■ MANUFACTURING PROCESS

It is manufactured by cold bucking.

### ■ WELDED JOINTS / STAINLESS STEEL PIPE

Made with TIG method without any additional material.

### MATERIALS

Stainless steel AISI 304 / 316

### ■ SURFACE TREATMENT / FOR STAINLESS STEEL

Degreasing, pickling and electropolishing.



### FLANGE STANDARDS

EN 1092-1 DIN 2579 PN 16

### THREADED STANDARD

ISO 228/1 EN 10226-1 TS 61-210



*For more information, please contact us.*



# MANIFOLDS

## TECHNICAL FEATURES

### ■ MANUFACTURING PROCESS

It is manufactured by cold bucking.

### ■ WELDED JOINTS

Steel pipe

Made with MIG/MAG method by additional material.

### MATERIALS

Steel pipe TS EN 10255, ASTM A53, ISO 65,  
TS EN 10217-1

### ■ SURFACE TREATMENT FOR STEEL PIPE

Degreasing, pickling, electrogalvanized, chrome coating,  
electrostatic paints.

### FLANGE STANDARDS

EN 1092-1 DIN 2579 PN 16

### THREADED STANDARD

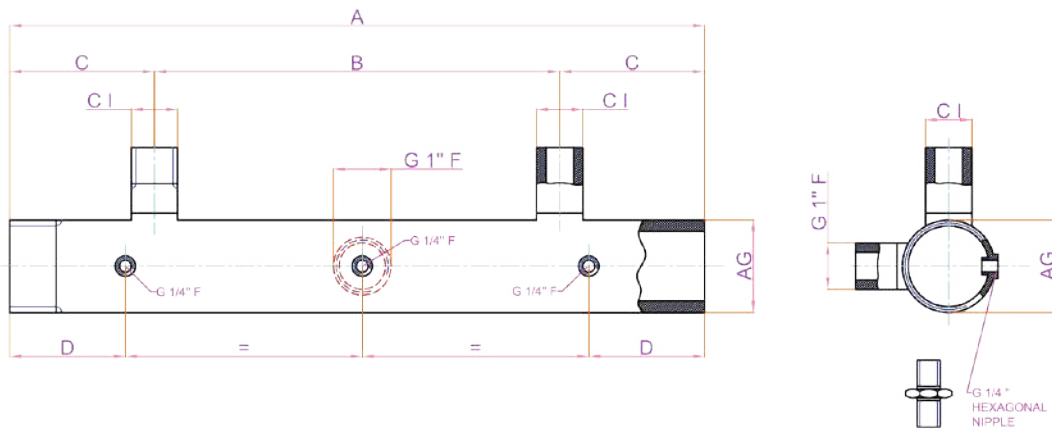
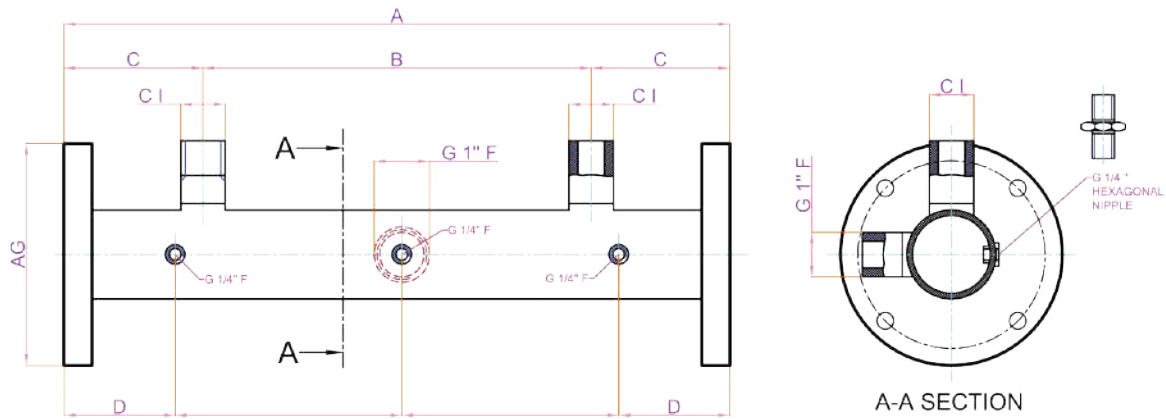
ISO 228/1 EN 10226-1 TS 61-210





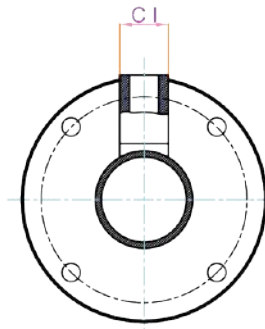
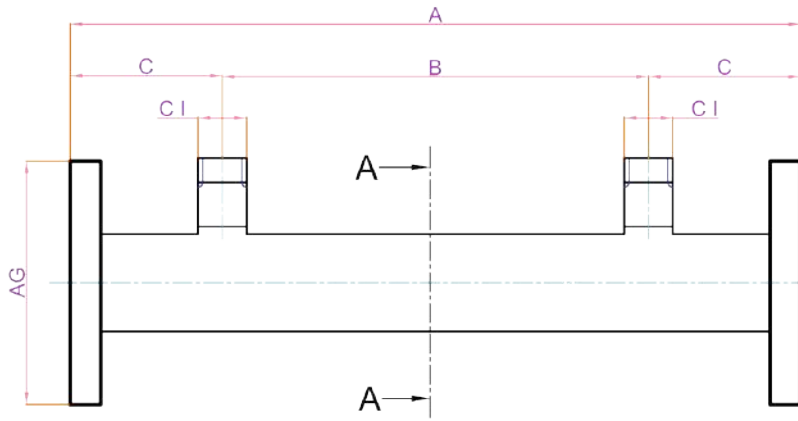
# MANIFOLDS

## DELIVERY MANIFOLDS FOR 2 PUMPS

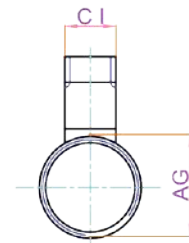
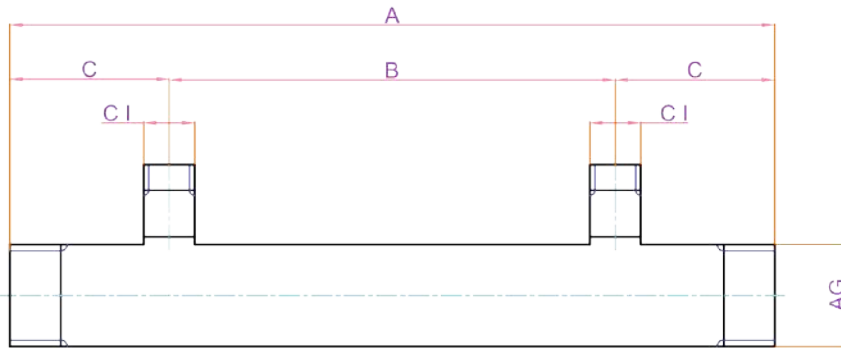


MODELS	AG	CI	A	B	C	D	E
2 P 112 / 100 BD	1 1/2 "	1 "	600	300	150	105	
2 P 200 / 100 BD	2 "	1 "	600	300	150	105	
2 P 200 / 114 BD	2 "	1 1/4 "	600	300	150	105	
2 P 212 / 114 BD	2 1/2 "	1 1/4 "	600	300	150	105	
2 P 212 / 112 BD	2 1/2 "	1 1/2 "	600	300	150	105	
2 P 300 / 200 BD	3 "	2 "	600	300	150	105	
2 P DN 100 / 212 BD	DN 100	2 1/2 "	600	300	150	105	

## SUCTION MANIFOLDS FOR 2 PUMPS



A-A SECTION

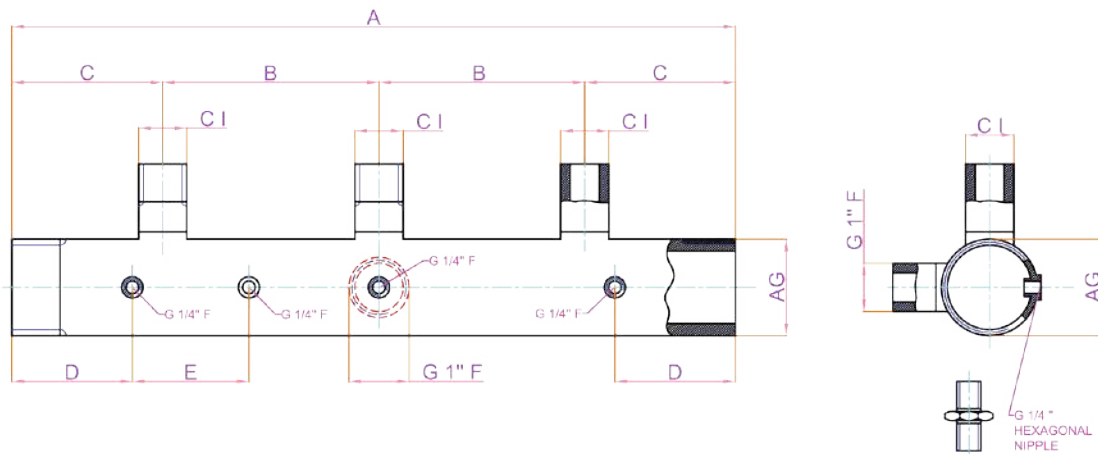
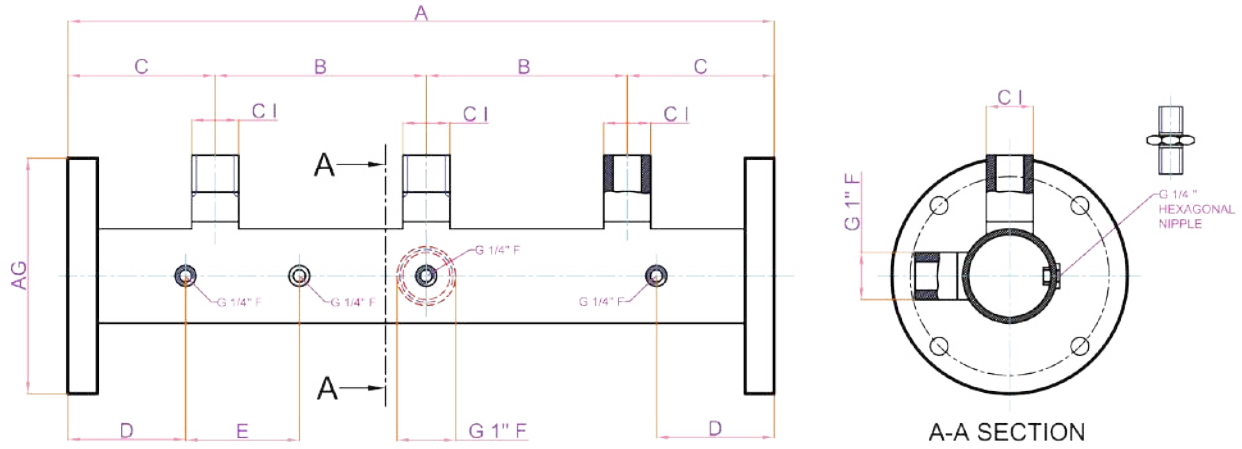


MODELS	AG	CI	A	B	C	D	E
2 P 112 / 114 ES	1 1/2"	1 1/4"	600	300	150		
2 P 200 / 114 ES	2"	1 1/4"	600	300	150		
2 P 200 / 112 ES	2"	1 1/2"	600	300	150		
2 P 212 / 112 ES	2 1/2"	1 1/2"	600	300	150		
2 P 212 / 200 ES	2 1/2"	2"	600	300	150		
2 P 400 / 212 ES	4"	2 1/2"	600	300	150		
2 P DN 125 / 300 ES	DN 125	3"	600	300	150		



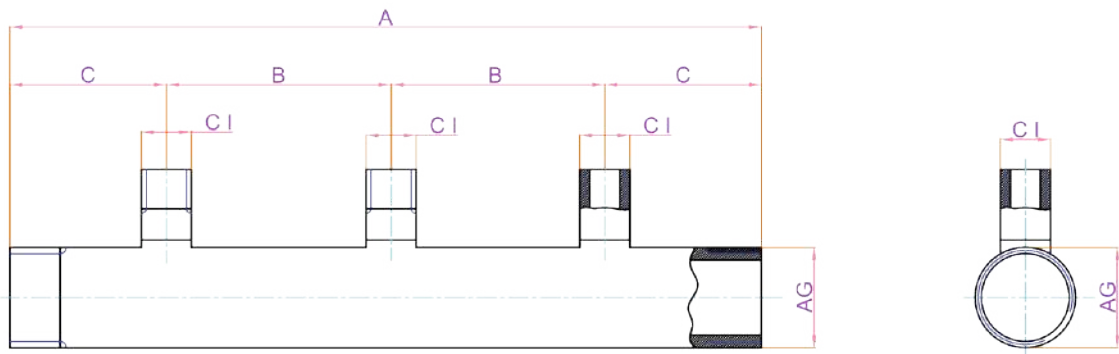
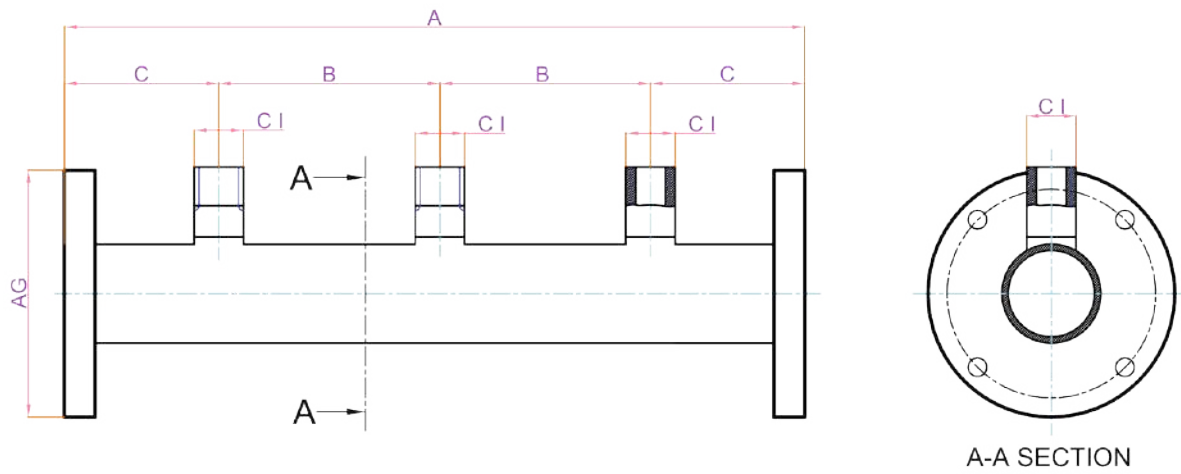
# MANIFOLDS

## DELIVERY MANIFOLDS FOR 3 PUMPS



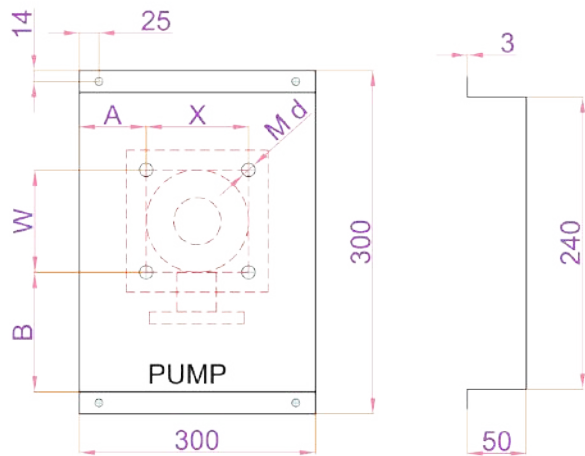
MODELS	AG	CI	A	B	C	D	E
3 P 112 / 100 BD	1 1/2 "	1 "	900	300	150	105	150
3 P 200 / 100 BD	2 "	1 "	900	300	150	105	150
3 P 200 / 114 BD	2 "	1 1/4 "	900	300	150	105	150
3 P 212 / 114 BD	2 1/2 "	1 1/4 "	900	300	150	105	150
3 P 212 / 112 BD	2 1/2 "	1 1/2 "	900	300	150	105	150
3 P 300 / 200 BD	3 "	2 "	900	300	150	105	150
3 P DN 100 / 212 BD	DN 100	2 1/2 "	900	300	150	105	150

# SUCTION MANIFOLDS FOR 3 PUMPS

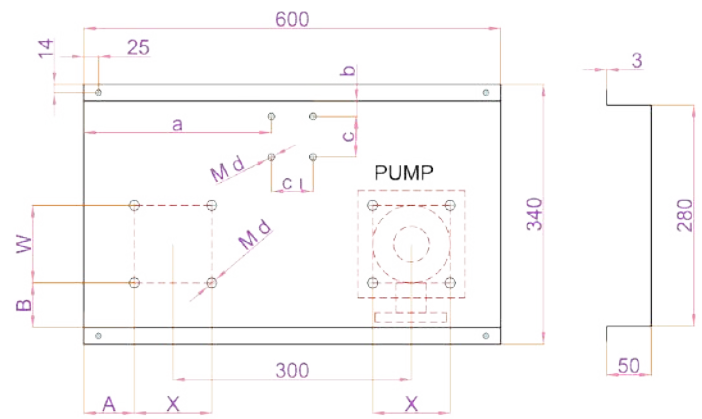


MODELS	AG	CI	A	B	C	D	E
3P 112 / 114 ES	1 1/2"	1 1/4"	900	300	150		
3P 200 / 114 ES	2"	1 1/4"	900	300	150		
3P 200 / 112 ES	2"	1 1/2"	900	300	150		
3P 212 / 112 ES	2 1/2"	1 1/2"	900	300	150		
3P 212 / 200 ES	2 1/2"	2"	900	300	150		
3P 400 / 212 ES	4"	2 1/2"	900	300	150		
3P DN 125 / 300 ES	DN 125	3"	900	300	150		

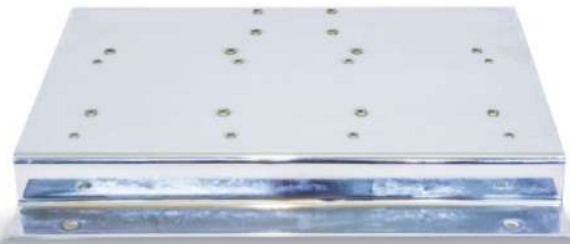
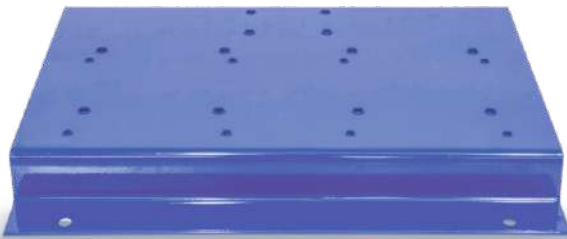
# STANDARD CHASSIS



CODE : 1 PCS

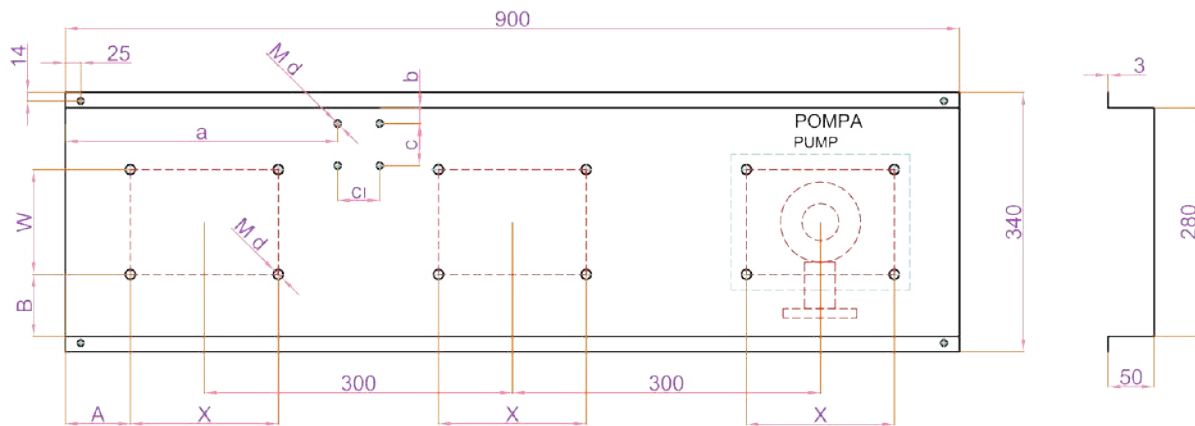


CODE : 2 PCS

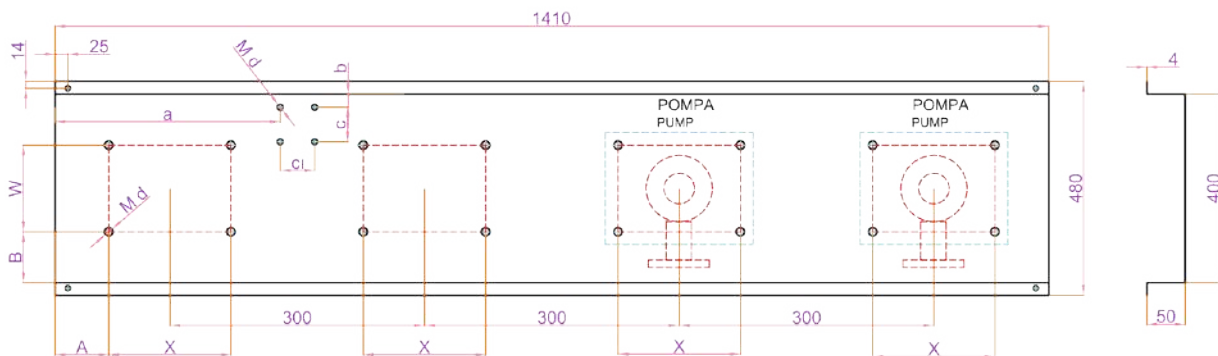


STANDARD CHASSIS	
CODES	PIECES FOR PUMPS
1 PCS	1 BASE PER FOR 1 PUMPS
2 PCS	2 BASE PER FOR 2 PUMPS
3 PCS	3 BASE PER FOR 3 PUMPS
4 PCS	4 BASE PER FOR 4 PUMPS





CODE : 3 PCS



CODE : 4 PCS

## TECHNICAL FEATURES

### MANUFACTURING PROCESS

They are manufactured from the desired quality materials by applying various production and welding methods in appropriate sizes.



### MATERIALS

Stainless steel AISI 304 / 316  
Steel S235JR

### SURFACE TREATMENT FOR STAINLESS STEEL

Degreasing , pickling and electropolishing.



### FOR STEEL

Degreasing, pickling, electrogalvanized, chrome coating, electrostatic paints.

For more information, please contact us.

# DIFFERENT TYPES ELECTRICAL PANEL CHASSIS



## TECHNICAL FEATURES

### ■ MANUFACTURING PROCESS

They are manufactured from the desired quality materials by applying various production and welding methods in appropriate sizes.

### ■ MATERIALS

Stainless steel AISI 304 / 316  
Steel S235JR

### ■ SURFACE TREATMENT

FOR STAINLESS STEEL

Degreasing, pickling and electropolishing.

### FOR STEEL

Degreasing, pickling, electrogalvanized, chrome coating, electrostatic paints.

For more information, please contact us.



# PRODUCTS FOR FIRE FIGHTING SYSTEMS

## MANIFOLDS

### TECHNICAL FEATURES

- **MANUFACTURING PROCESS**  
It is manufactured by cold bucking.

- **WELDED JOINTS**

**STEEL PIPE**  
Made with MIG/MAG method by additional material.

- **MATERIALS**  
Steel pipe  
TS EN 10255, ASTM A53, ISO 65, TS EN 10217-1

- **SURFACE TREATMENT**  
Steel pipe  
Degreasing, pickling, electrogalvanized, chrome coating, electrostatic paints



### FREE FLANGE MIXED OUTLET MANIFOLDS

MINE PIPE	OUTLETS	NOMINAL PRESSURE in bar	MINE PIPE MAX.PRODUCTION LENGTH
2" - 20"	1" - 10"	10 --25	2500 in mm

Steel pipe: Made with MIG/MAG method by additional material.

In our free flanged and cold bucking models they are manufactured in desired diameters and length with welded joints dimensions longer than 2500 mm.

For more information, please contact us.

# CHASSIS



*Chassis for pumps powered by electric motors*



*Chassis for pumps powered by electric and diesel motors.  
For Powers above 90 kw*

## TECHNICAL FEATURES

### ■ MANUFACTURING PROCESS

They are manufactured from the desired quality materials by applying various production and welding methods in appropriate sizes.

### ■ MATERIALS

Steel S235JR

### ■ SURFACE TREATMENT

For steel

Degreasing, pickling, electrogalvanized, chrome coating, electrostatic paints



*Chassis for pump powered by diesel motor  
For Powers up to 90 kw.*



*Chassis for vertical multistage pumps*

For more information, please contact us.

# CHASSIS FOR ELECTRICAL PANELS



## TECHNICAL FEATURES

### ■ MANUFACTURING PROCESS

They are manufactured from the desired quality materials by applying various production and welding methods in appropriate sizes.

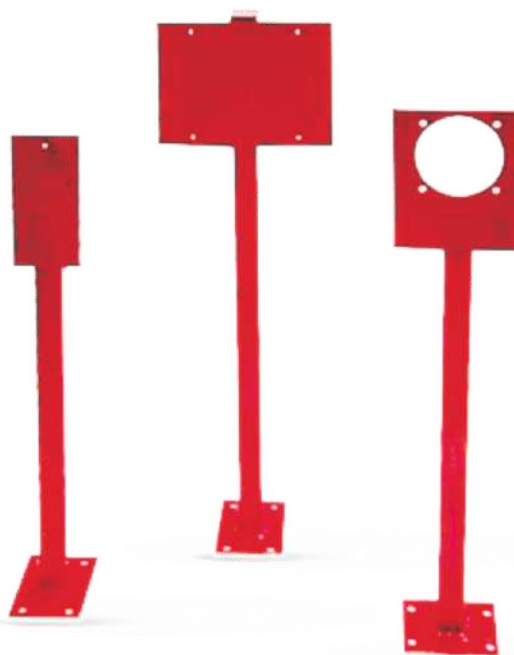
### ■ MATERIALS

Steel S235JR

### ■ SURFACE TREATMENT

For steel

Degreasing, pickling, electrogalvanized, chrome coating, electrostatic paints.



For more information, please contact us.



# DIFFERENT TYPES OF REDUCERS



## TECHNICAL FEATURES

### ■ MANUFACTURING PROCESS

*They are manufactured from the desired quality materials by applying various production and welding methods in appropriate sizes.*

### ■ MATERIALS

Stainless steel AISI 304 / 316

Steel S235JR

### ■ SURFACE TREATMENT

For stainless steel

Degreasing , pickling and electropolishing.

### FOR STEEL

Degreasing, pickling, electrogalvanized, chrome coating, electrostatic paints.



# FUEL TANKS, HEATINGS, BALANCING TANKS



BALANCING TANKS



FUEL TANKS

24 to 2000 lt.

## TECHNICAL FEATURES

### ■ MANUFACTURING PROCESS

They are manufactured from the desired quality materials by applying various production and welding methods in appropriate sizes.

### ■ MATERIALS

Stainless steel AISI 304 / 316

Steel S235JR

### ■ SURFACE TREATMENT

For stainless steel

Degreasing , pickling and electropolishing.

### FOR STEEL

Degreasing, pickling, electrogalvanized, chrome coating, electrostatic paints.



Heating

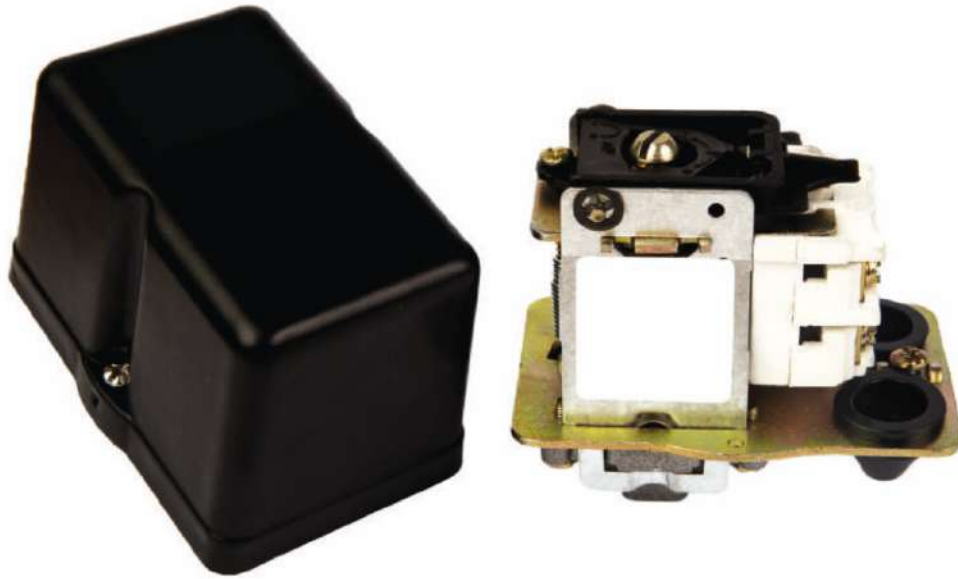
# ACCESSORIES







# MONO PHASE PRESSURE SWITCH

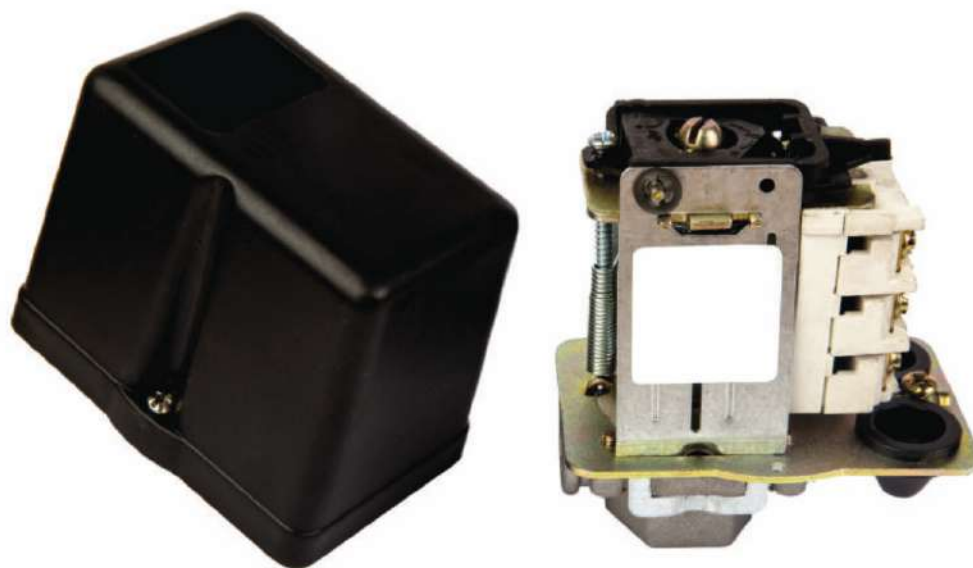


## PRODUCT FEATURES

- Used in air compressors ,water pump and boosters
- It provides the system operated in maximum and minimum pressure range
- At the maximum setpoint, the electrical contract is switched on and the motor stops
- At the minimum setpoint, the electrical contact closes and the motor starts.

Code	Unloader Valve	Pressure Range	Connection	Factory Settings	Differential	Differential	Weight
DYR-1	without	1-6 Bar	1/4 "	2,0 / 3,2 BAR	1,2 BAR	3,5 BAR	330 gr
DYR-2	without	2-11 Bar	1/4"	2,6 / 4,0 BAR	1,4 BAR	3,5 BAR	335 gr

# THREE PHASE PRESSURE SWITCH



## PRODUCT FEATURES

- Used in air compressors ,water pump and boosters
- It provides the system operated in maximum and minimum pressure range
- At the maximum setpoint, the electrical contract is switched on and the motor stops
- At the minimum setpoint, the electrical contact closes and the motor starts.

Code	Unloader Valve	Pressure Range	Connection	Factory Set-tings	Differential	Differential	Weight
DYR-3	without	2-8 Bar	1/4"	2,8 / 4,0 BAR	1,2 BAR	3,5 BAR	390 gr
DYR-4	without	3-11 Bar	1/4"	3,8 / 5,0 BAR	1,2 BAR	3,5 BAR	400 gr
DYR-5	without	4-16 Bar	1/4"	6,2 / 7,6 BAR	1,4 BAR	3,5 BAR	400 gr
DYR-6	with	2-8 Bar	1/2"	3,6 / 5,0 BAR	1,4 BAR	4,0 BAR	450 gr
DYR-7	with	3-11 Bar	1/2"	6,0 / 7,4 BAR	1,4 BAR	4,5 BAR	460 gr
DYR-8	with	4-16 Bar	1/2"	8,0 / 9,6 BAR	1,5 BAR	4,0 BAR	460 gr

# LIQUID LEVEL FLOATER



## PRODUCT FEATURES

- Cabled Liquid level oater uses uid level control which non-aggressive water and another liquid tanks.
- Suitable for use artesian well and waste water pit

MODEL	CABLE LENGHT
<b>DYR - FD 0.6</b> (9mm) Cable Liquid Level Floater	60 cm
<b>DYR - F 0.6</b> Liquid Level Floater	60 cm
<b>DYR - F 1.6</b> Liquid Level Floater	160 cm
<b>DYR - F 3.0</b> Liquid Level Floater	300 cm
<b>DYR - F 5.0</b> Liquid Level Floater	500 cm
<b>DYR - F 10.0</b> Liquid Level Floater	1000 cm
<b>DYR - F 15.0</b> Liquid Level Floater	1500 cm
<b>DYR - F 20.0</b> Liquid Level Floater	2000 cm

## Product Features

Nominal voltage	: 240 V AC
Nominal current	: 10 A
Mechanical endurance	: 30.000 On-Off(Min)
Electrical endurance	: 10.000 On-Off(Min)
Working pressure	: Max 3 Bar
Temperature limit	: 80 C
Protection class	: IP 68(Max 20m depth)
Cable material	: TTR



## WASTE WATER CHECKVALVES



### PRODUCT FEATURES

- Threaded female x female connection
- Reux is precluded with ball closure
- Works even very low pressure
- Very low friction loss
- Working temperature -20C +80C

CODE	SIZE
PSC10	1 1/4"
PSC11	1 1/2"
PSC12	2"
PSC13	2 1/2"

## WASTE WATER CHECKVALVES (WITH FLANGE)



CODE	SIZE
PSF50	DN50 - 2"
PSF65	DN65 - 2 1/2"
PSF80	DN80 - 3"
PSF100	DN100 - 4"



### COMPRESSOR SAFETY VALVE

CODE	SIZE
EMV10	1/4"
EMV11	3/8"
EMV12	1/2"
EMV13	3/4"



### MANUAL AIR BLEED

CODE	SIZE
MP06	1/4"



### PRESSURE BREAKER

CODE	SIZE
BK04	1/4"



### CIRCULATION PUMP FITTING

CODE	SIZE
PR11	3/4" - 1/2"
PR12	1" - 3/4"
PR13	1 1/4" - 1"
PR14	1 1/2" - 1"
PR15	2" - 1 1/4"

# INSTALLATION & ASSEMBLY MATERIALS



## BRASS WATER BOOSTER FLANGE

CODE	SIZE
SF12	1"
SF13	1 1/4"
SF14	1 1/2"
SF15	2"



## MEMBRANE HOLDER

CODE	SIZE
TSK10	3/4" TAKIM / SET
TSK10S	ASKI SOMUNU / HOLDER NUT



## COMPRESSOR CHECKVALVE

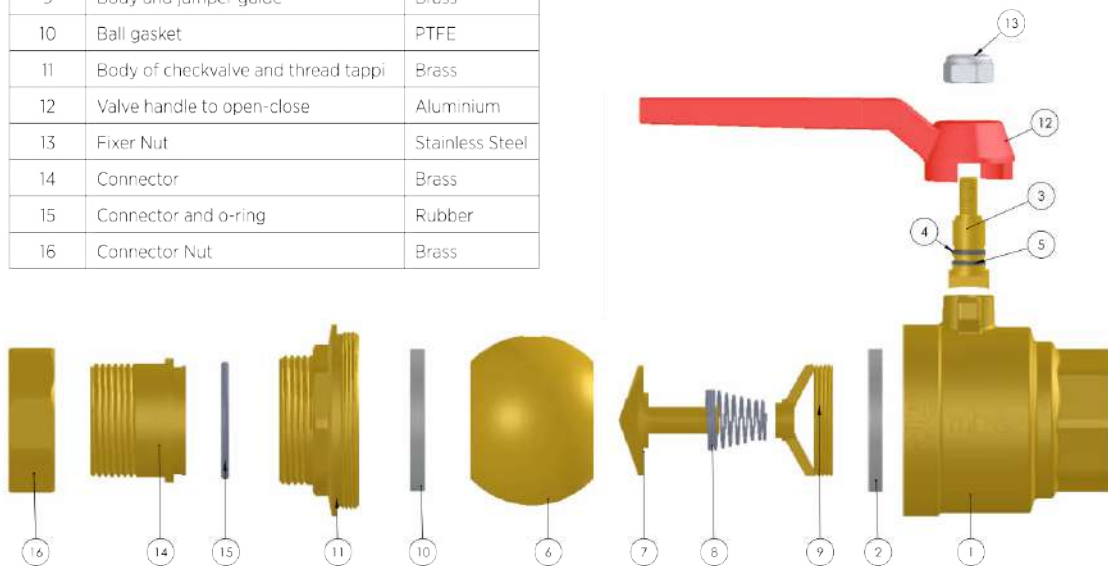
CODE	SIZE
KPC10	1/2" - 3/4"
KPC11	3/4" - 1"

## PRODUCT FEATURES

- Combination of checkvalve and ball valve.
- The checkvalve mechanism placed in the sphere is completely brass.
- Our product which is all brass is suitable for steam and high temperature for using.
- Provides ease of installation thanks to its recordable connection.
- The pressure gauge is visible with the manometer output located on the ball valve body.
- The full transition of the flow way is suitable to TS EN 13547.
- Thread type conforms to EN ISO 228-1.
- Design and patent belong to our company.

NO	COMPONENT PART NAME	MATERIAL
1	Body of ball valve with checkvalve	Brass
2	Ball gasket	PTFE
3	Ball stem	Brass
4	Ball stem and o-ring	Rubber
5	Ball stem and o-ring	Rubber
6	Body of checkvalve and Ball valve	Brass
7	Jumper	Brass
8	Spring	Stainless Steel
9	Body and jumper guide	Brass
10	Ball gasket	PTFE
11	Body of checkvalve and thread tappi	Brass
12	Valve handle to open-close	Aluminium
13	Fixer Nut	Stainless Steel
14	Connector	Brass
15	Connector and o-ring	Rubber
16	Connector Nut	Brass

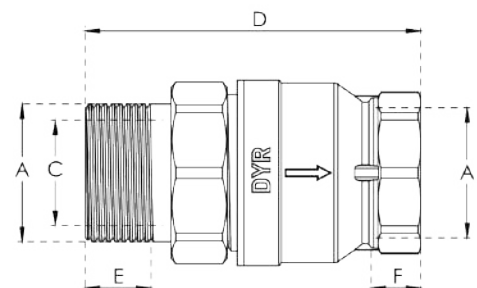
CODE	SIZE
VKC10	1"
VKC11	1 1/4"
VKC12	1 1/2"
VKC13	2"



# BALL VALVE WITH CHECKVALVE AND RAKOR



# CHECKVALVE WITH RAKOR



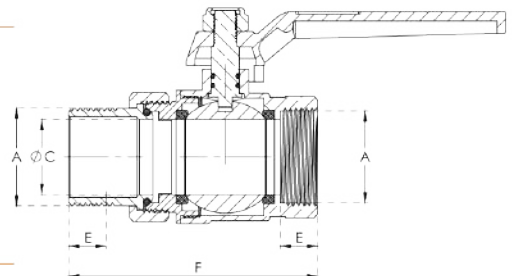
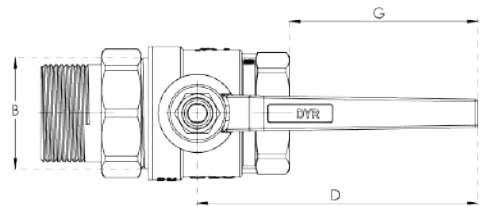
## PRODUCT FEATURES

- It is suitable for hot and cold water, air compressor and oils use
- Minimum head loss thanks to the streamlined flow design
- Full bore and high flow capacity. Silent operation
- Long-lasting with durable brass material
- It provides advantage in installation with rakor connection.



CODE	A	B	C	D (mm)	E (mm)	F (mm)
VSR11	1 1/4"	1 1/2"	Q32	103	16	15,5
VSR12	1 1/2"	2"	Q40	112	16	16
VSR13	2"	2 1/2"	Q50	120	19	19

# BALL VALVES WITH RAKOR

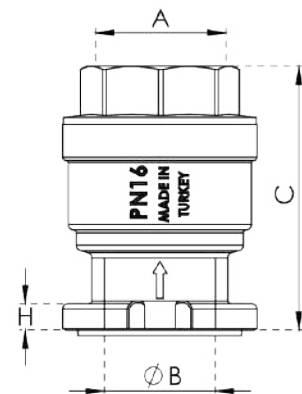
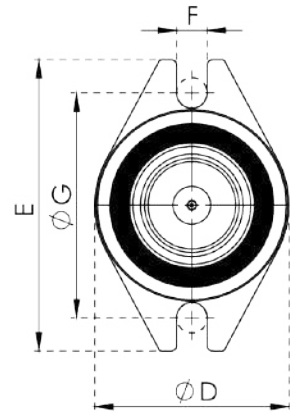


## PRODUCT FEATURES

- It is suitable for hot and cold water, air compressor and oils
- Long life with no maintenance
- It is suitable for hot and cold water, air compressor and oils use
- It provides advantage in installation with rakor connection.

CODE	A	B	C	D (mm)	E (mm)	F (mm)	G (mm)
VKR11	1 1/4"	1 1/2"	Q32	120	16	108	85
VKR12	1 1/2"	2"	Q40	120	16	118	80
VKR13	2"	2 1/2"	Q50	150	19	130	100

# CHECKVALVE WITH FLANGED



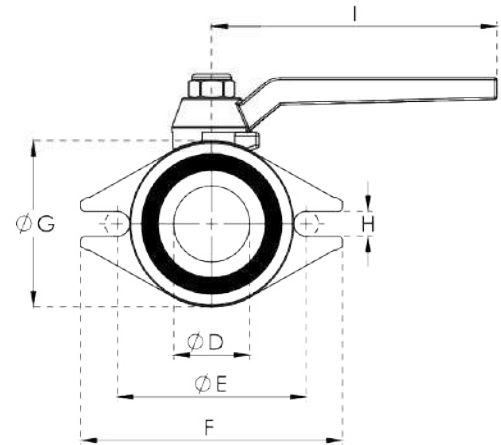
## PRODUCT FEATURES

- It is a compact product which checkvalve, nippel and flange.
- Flanged checkvalve is ideal for double pump water booster.
- It provides advantage at cost and assembly duration.
- Design and patent belong to our company.

KOD / CODE	A	B	C (mm)	D (mm)	E (mm)	F	G	H (mm)
VSG10	1"	Q25	57	70	105	M10	Q80	9
VSG11	1 1/4"	Q32	63	70	108	M10	Q80	9
VSG12	1 1/2"	Q40	95	70	105	M10	Q80	9
VSG13	2"	Q50	100	76	120	M10	Q93	10

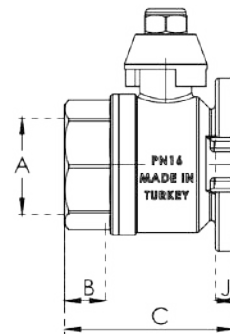


# BALL VALVES WITH FLANGED



## PRODUCT FEATURES

- It is a compact product which checkvalve, nippel and flange.
- Flanged checkvalve is ideal for double pump water booster.
- It provides advantage at cost and assembly duration.
- Design and patent belong to our company.



KOD / CODE	A	B (mm)	C (mm)	D (mm)	E (mm)	F (mm)	G (mm)	H (mm)	I (mm)	J (mm)
VKG10	1 1/4"	16	69	Q32	Q80	109	70	M10	120	9
VKG11	1 1/2"	16	74	Q36	Q93	117	77	M10	120	10
VKG12	2"	19	92	Q45	Q94	119	77	M10	120	10
VKG13	2 1/2"	19	114	Q60	Q108	140	88	M12	150	10

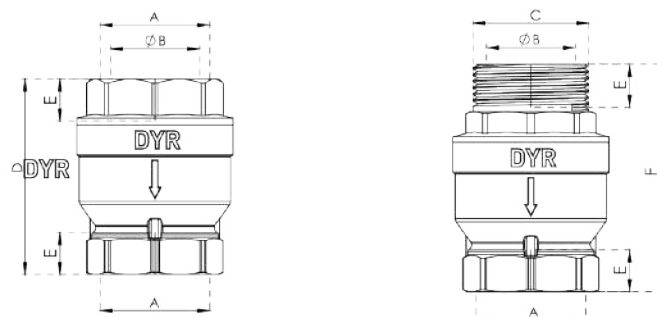
# CHECKVALVE



## PRODUCT FEATURES

- It is suitable for hot and cold water, air compressor and oils use
- Minimum head loss thanks to the streamlined flow design
- Full bore and high flow capacity. Silent operation
- Long-lasting with durable brass material

KOD / CODE	A	B	C	D (mm)	E (mm)	F (mm)	G (mm)
VS10	1/2"	Q15		45			68
VS11	3/4"	Q20		56			78
VS12 & VSD12	1"	Q25	1"	60	13,5	71	92
VS13 & VSD13	1 1/4"	Q32	1 1/4"	69	15,5	79	105
VS14 & VSD14	1 1/2"	Q40	1 1/2"	79	16	91	133
VS15 & VSD15	2"	Q50	2"	93	19	106	230
VS16	2 1/2"	Q64		122	21		



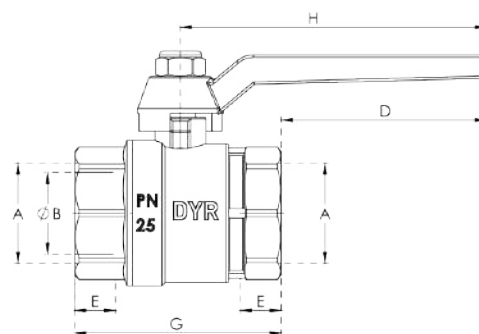
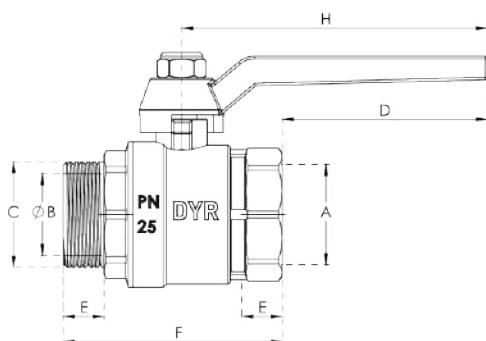
# BALL VALVES



## PRODUCT FEATURES

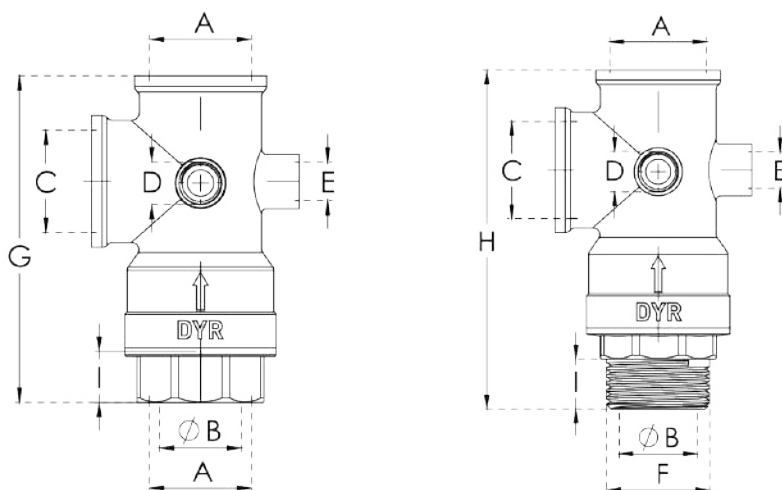
- It is suitable for hot and cold water, air compressor and oils
- Long life with no maintenance

KOD / CODE	A	B	C	D (mm)	E (mm)	F (mm)	G (mm)
VK110 & VKD10	1"	Q25	1"	45	14	77	68
VK111 & VKD11	1 1/4"	Q32	1 1/4"	85	16	86	78
VK112 & VKD12	1 1/2"	Q40	1 1/2"	80	16	102	92
VK113 & VKD13	2"	Q50	2"	100	19	117	105
VK114	2 1/2"	Q58		80	25		133
VK115	3"	Q62		150	25		230

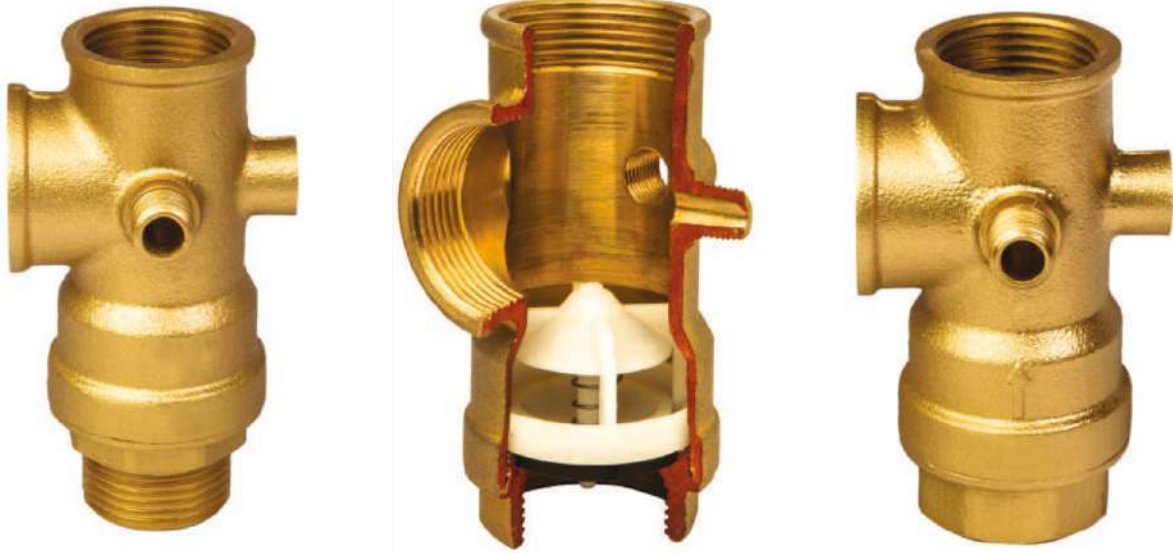




KOD / CODE	A	B (mm)	C	D - E	F	G (mm)	H (mm)	I (mm)
C20D & C20I	1"	25	1"	1/4"	1"	98	108	13,5
C21D & C21I	1 1/4"	32	1 1/4"	1/4"	1 1/4"	106	127	15,5
C22D & C22I	1 1/2"	40	1 1/4"	1/4"	1 1/2"	128	142	15,5
C23D & C23I	2"	50	1 1/2"	1/4"	2"	145	160	19



# FIVE WAY CONNECTION WITH CHECKVALVES



## PRODUCT FEATURES

- It is a compact product in which five way collector and check valve are combined
- Design and patent belong to our company
- The pressure loss is reduced to a minimum thanks to the streamlined design
- Full bore and high flow capacity
- Silent operation
- Perfect seal at high and low pressure with EPDM rubber gasket Long-lasting with durable brass material.
- Use vertical, horizontal, oblique positions

MALE	
CODE	SIZE
C20D	1"
C21D	1 1/4"
C22D	1 1/2"
C23D	2"

FEMALE	
CODE	SIZE
C20I	1"
C21I	1 1/4"
C22I	1 1/2"
C23I	2"

## OPERATING PRESSURE

16 Bar Test Bar: 40 Bar

## OPERATING TEMPERATURE

-15C +80C

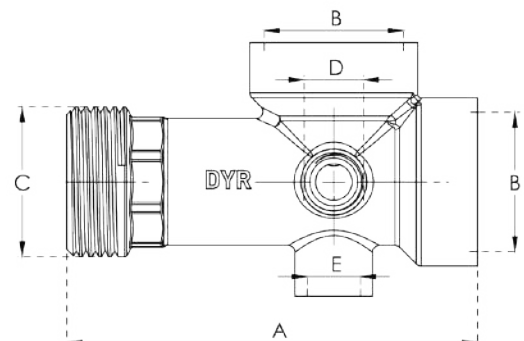
# FIVE WAY CONNECTION



## PRODUCT FEATURES

- It is a connection piece for domestic water booster
- Whole product is made of brass
- Long type makes accessories of water booster assembly easy

CODE	A (mm)	B - C	D - E
B09	70	1"	1/4"
B10	90	1"	1/4"
B11	110	1"	1/4"
B12	120	1 1/4"	1/4"

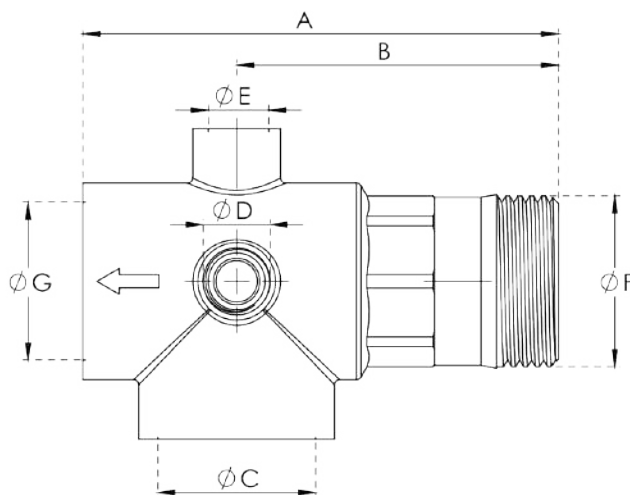


# ECONOMIC FIVE WAY CONNECTION WITH CHECKVALVE



## PRODUCT FEATURES

- It is ideal for mini water booster
- The checkvalve and the five-way connection are combined into one single joint.

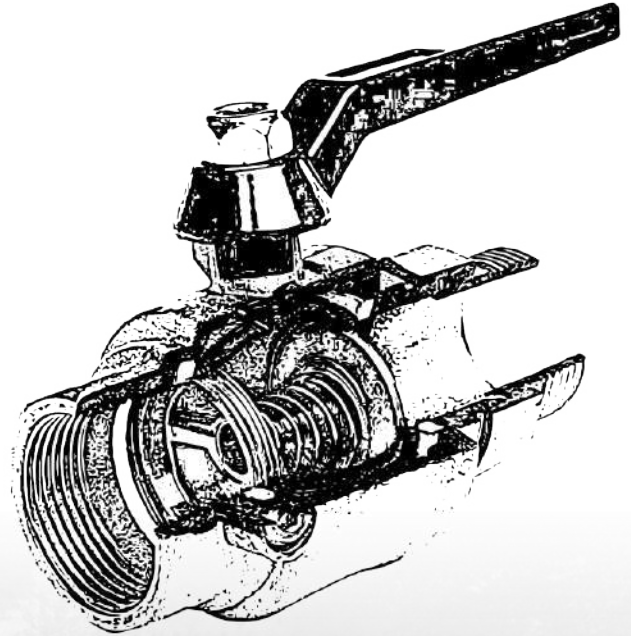
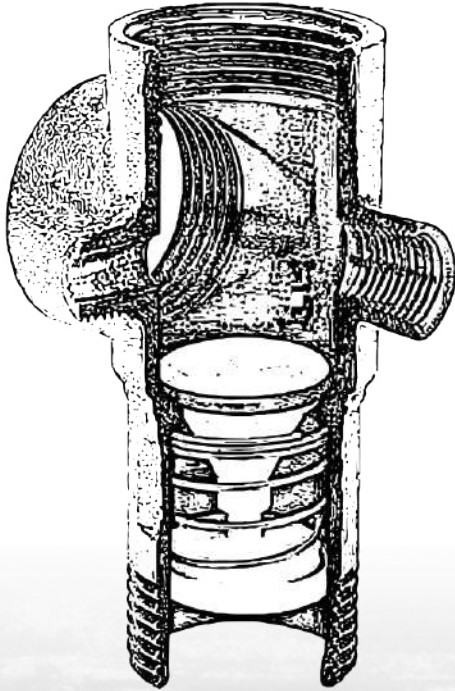


CODE	SIZE
C10	1"
A	92
B	61
C	1" İç Diş / Female
D	1/4" Dış Diş / Male
E	1/4" İç Diş / Female
F	1" Dış Diş / Male
G	1" İç Diş / Female



# duyar

## motorpompa<sup>®</sup>



DUYAR MOTOR POMPA DAHİLİ TİC. İTH. İHR. İML. LTD. ŞTİ.

[www.dupumps.com](http://www.dupumps.com) / [www.duyarpump.com](http://www.duyarpump.com)  
[info@duyarmotor.com](mailto:info@duyarmotor.com) / [info@duyarpump.com](mailto:info@duyarpump.com)